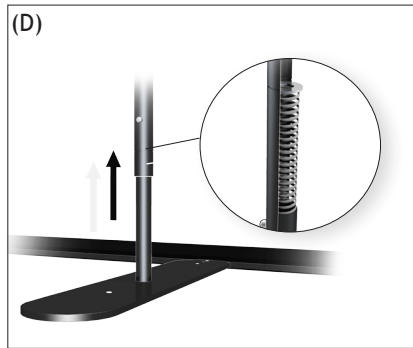
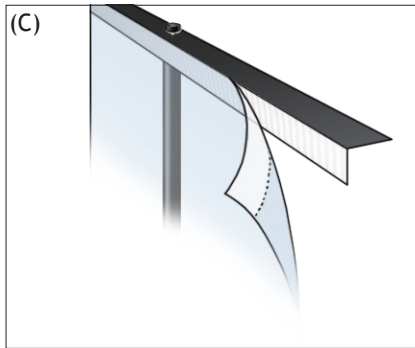
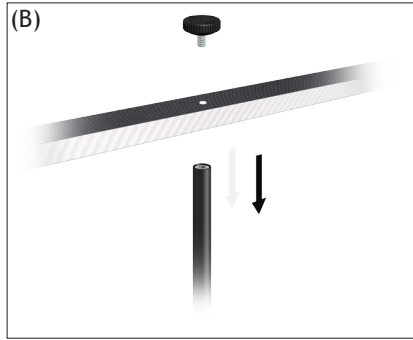
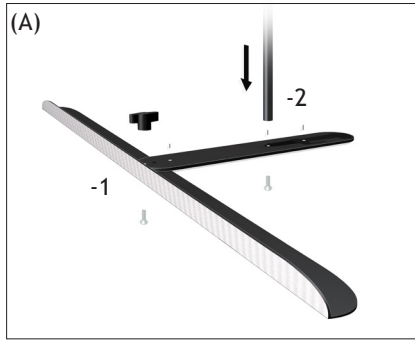


Banner Stands (Ultra™)

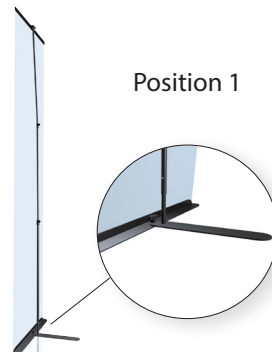
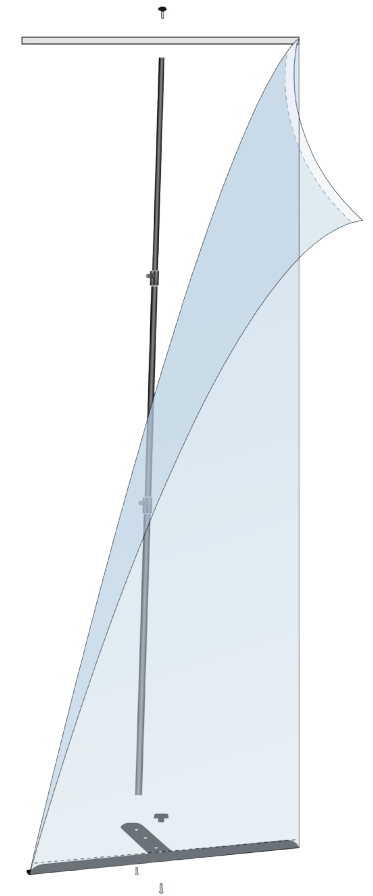
1. Insert rounded screw into square hole to lock bottom crossbar (fig. A-1).
2. Determine pole position (see positions 1, 2 & 3) and screw pole onto base using flathead screw (fig. A-2).
3. Attach top crossbar onto pole using rounded knob (fig. B).
4. Attach banner to top and bottom crossbars (fig. C).
5. Open poles to desired height & lock with spring extension at bottom closed.
6. Release spring button at bottom of pole to make banner really taut (fig. D).



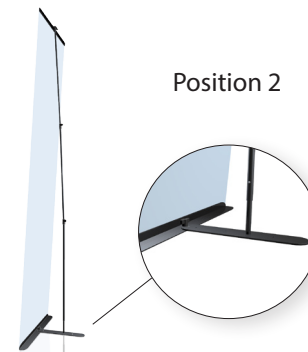
Applicable Products:

UB3-24, UB3-36

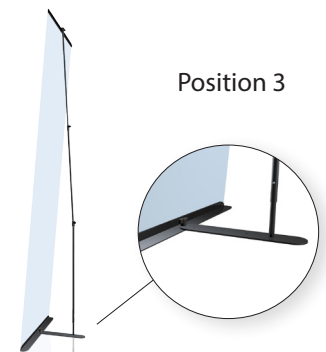
UB5-24, UB5-36, UB5-48



Position 1



Position 2



Position 3