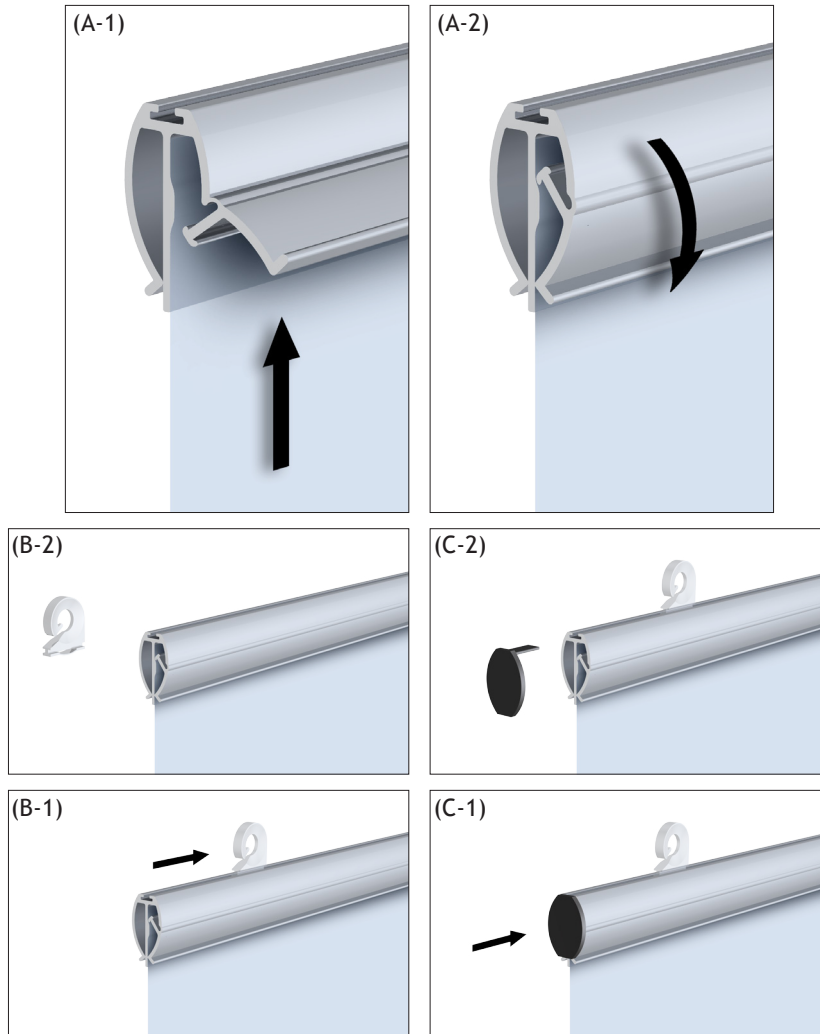


Grippers (SnapGraphics™)

Applicable Products:

GCO Series

1. Insert graphic into open SnapGraphic™ (fig. A-1) and clamp into place (fig. A-2).
(SnapGraphic™ won't close smoothly unless graphic is inserted.)
2. Slide hanging clips directly into SnapGraphic™ channel (fig. B-1 & B-2).
3. Insert endcaps into SnapGraphic™ channel to complete unit assembly (fig. C-1 & C-2).



Hanging Clips

