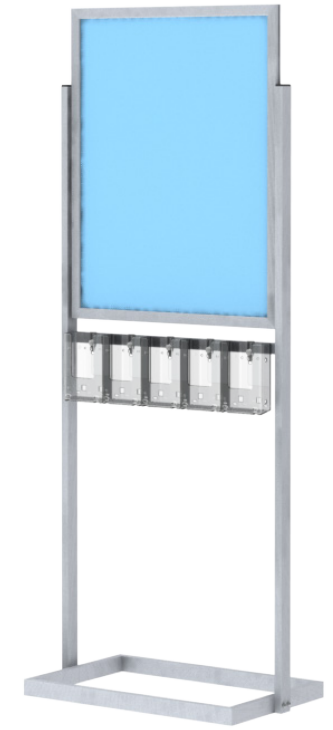
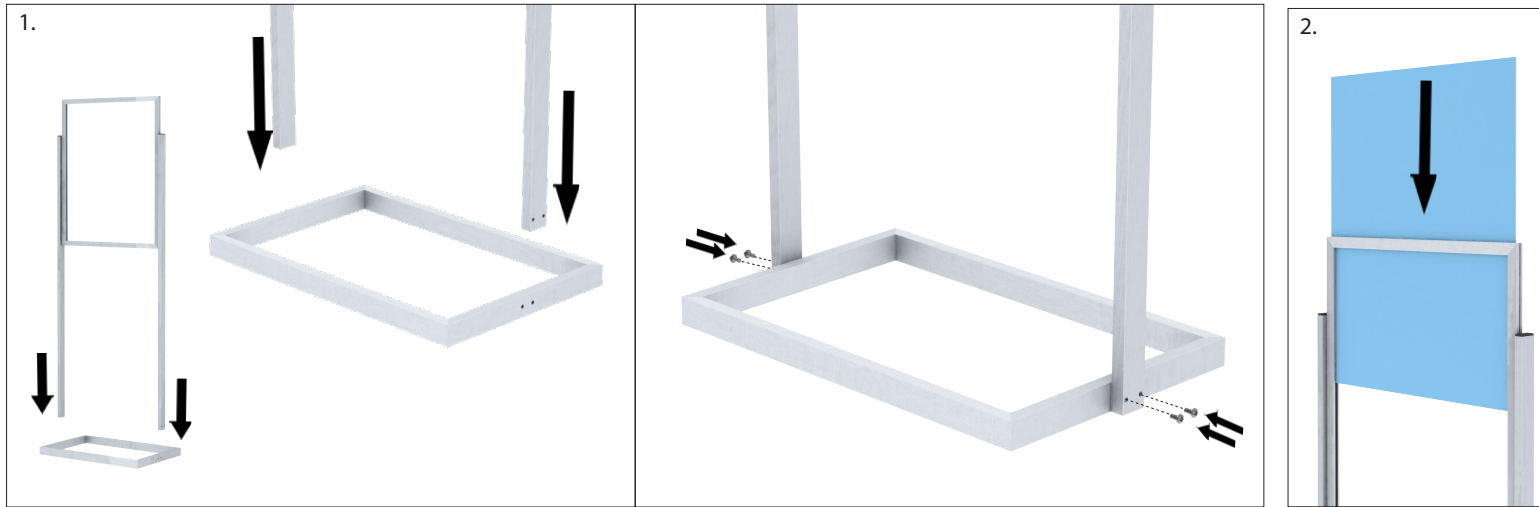


Poster SignHolder™ - LF3LT Series

1. Attach uprights of the double-frame to base using the screws provided. Hand tighten with manual screw driver only. DO NOT use drill.
2. Insert graphics.
3. Slightly loosen the nylon screws to create a gap for mounting the acrylic holders. Place the keyholes of the acrylic holder over the pair of nylon screws.
4. Slightly tighten the nylon screws to secure the acrylic holder.
5. Repeat steps 2 and 3 for the additional acrylic holders (not shown).



LF3LT1 shown