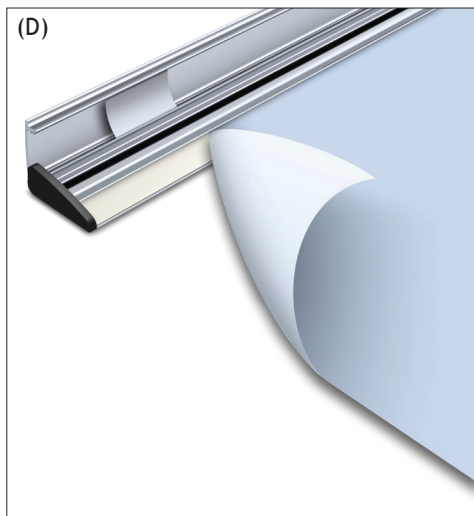
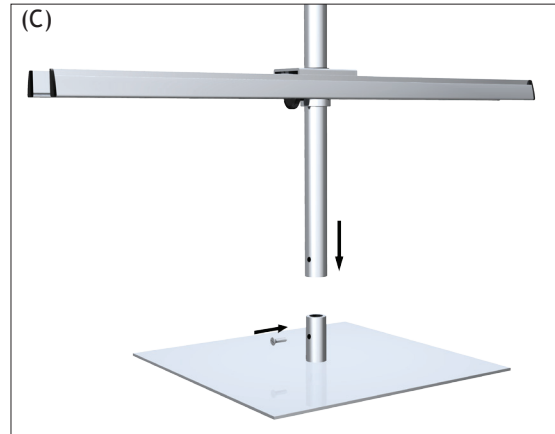
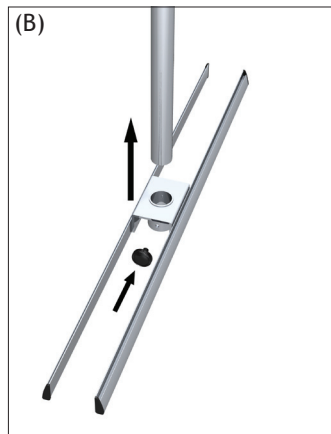
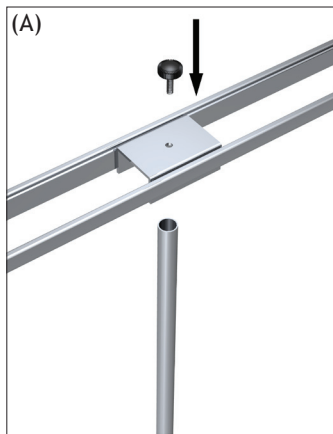


Banner Stands (Nexus™)

1. Screw top bracket onto pole using knob (fig. A).
2. Slide bottom bracket onto large diameter pole and secure with knob (fig. B).
3. Screw pole onto base using Phillips head screw (fig. C).
4. Open SnapBar to insert graphic, then close SnapBar to secure graphic. (fig. D).
5. Position banners to desired height by adjusting location of bottom bracket and by opening center pole until graphics are taut, then tighten.

Applicable Products:

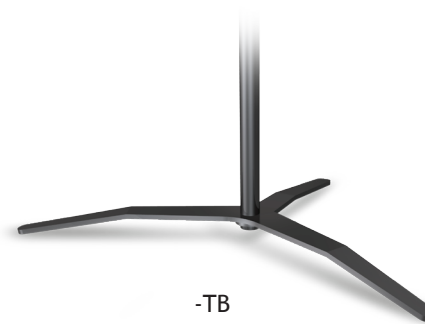
1-Sided	2-Sided
NX21	NX22
NX251	NX252
NX31	NX32



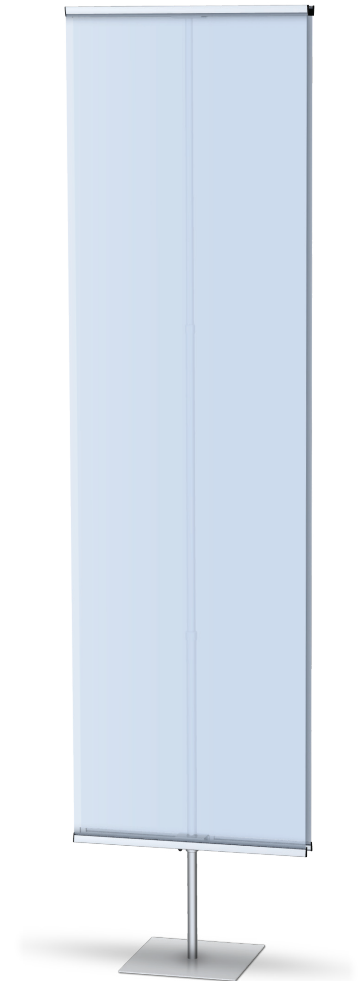
Bases



Standard



-TB



NX22 shown