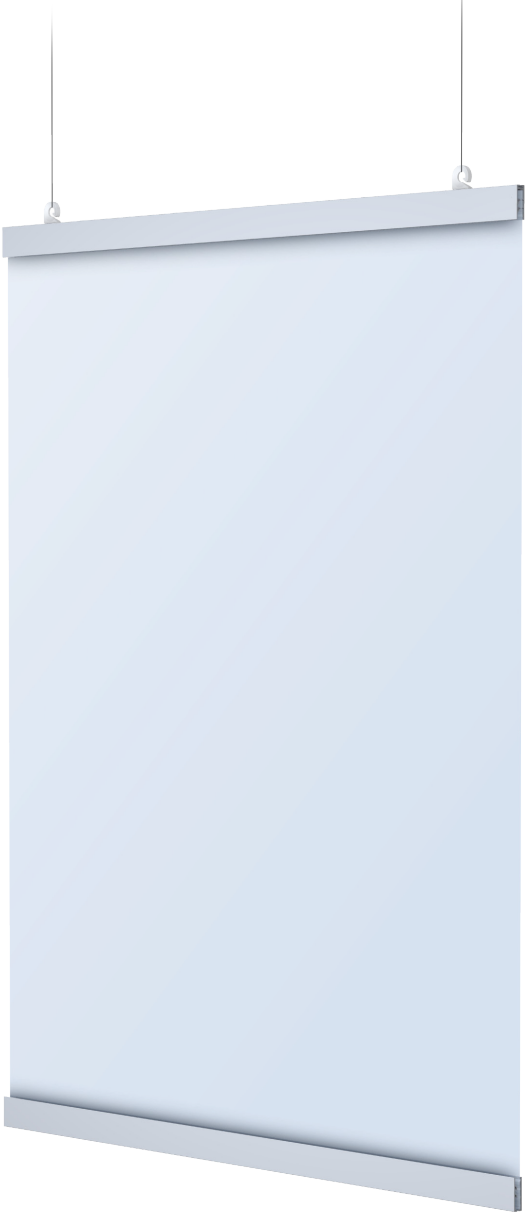
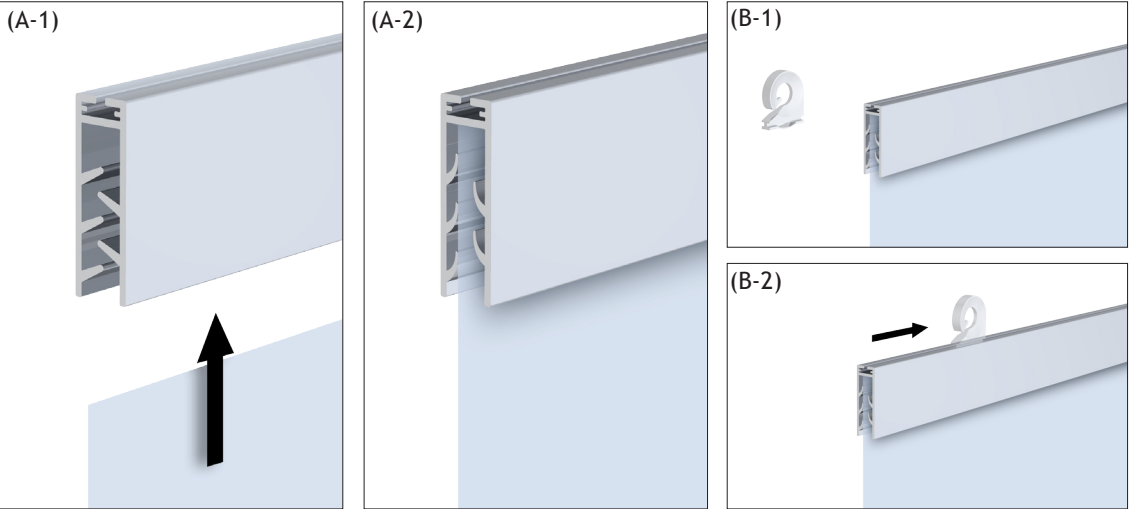


Grippers (EasyGraphics™)

Applicable Products:

GJ Series

- 1. Insert graphic into open EasyGraphic™ (fig. A-1 & A-2).
- 2. Slide hanging clips directly into EasyGraphic™ channel to complete unit assembly (fig. B-1 & B-2).
- 3. If mounting to wall, peel tape



Hanging Clips