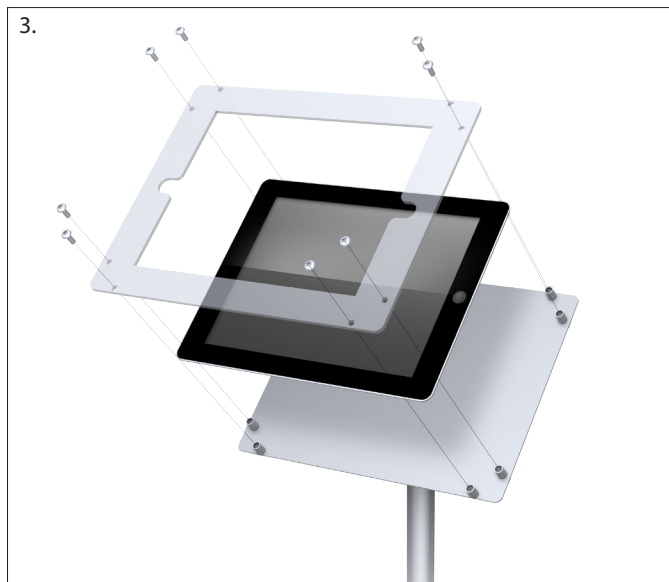
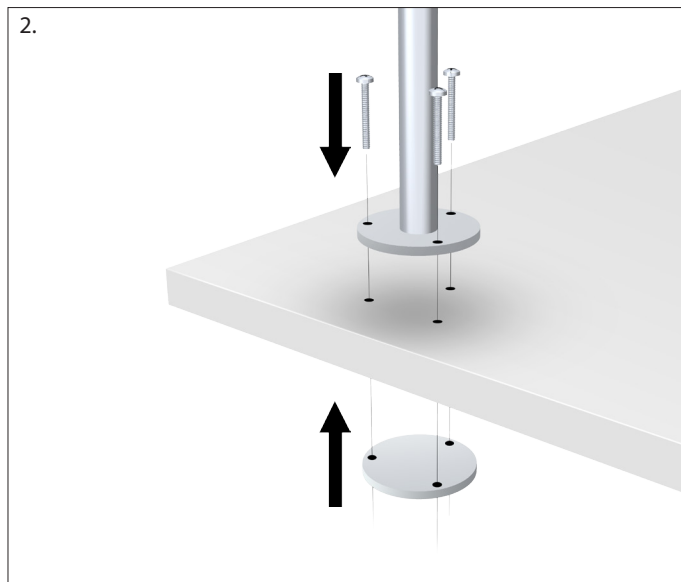
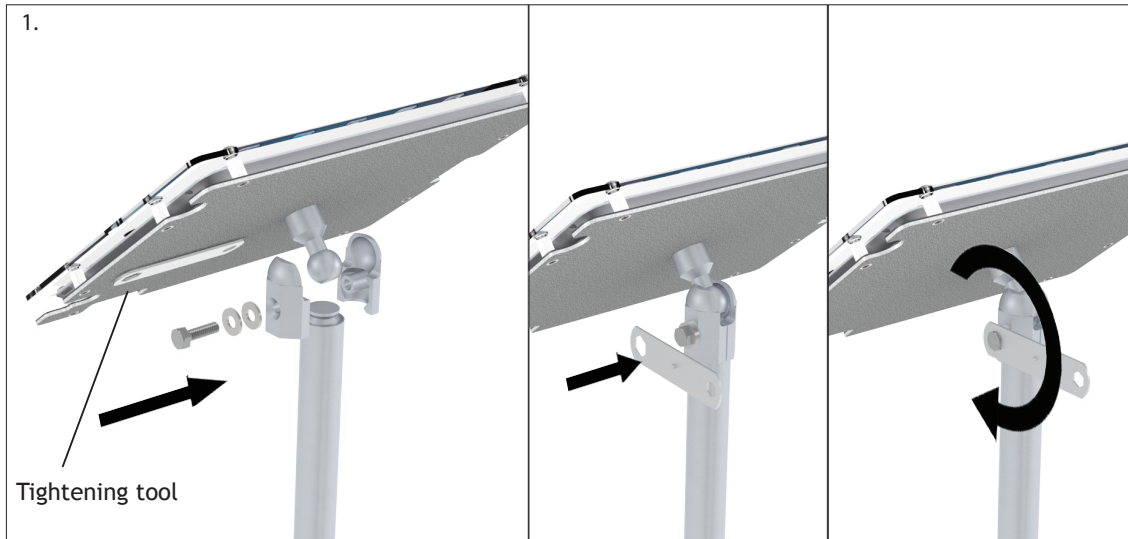


# Classic Counter Top Tablet Stand™ - IPDTF Series

1. Attach the Tablet casing to the upright as shown below using the bolt and washers provided. Use the magnetic tightening tool provided to tighten the bolt.
2. Align base over table and mark hole locations. Using a 9/32 drill bit, drill clearance holes into table. Sandwich table in between flange bases and secure stand to table using provided Phillips head screws.
3. Remove acrylic cover using small tamper-proof key provided. Place tablet inside and reassemble unit. If ball joint loosens on back, use the large tamper-proof key to retighten it securely.



IPDTF-S shown