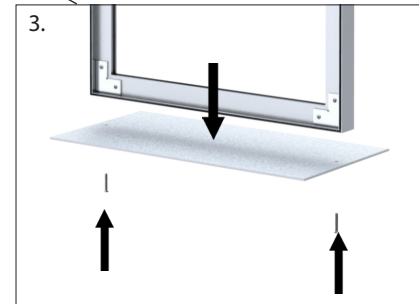
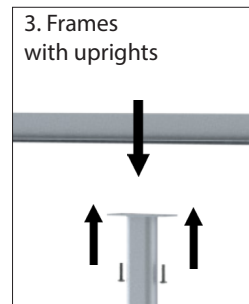
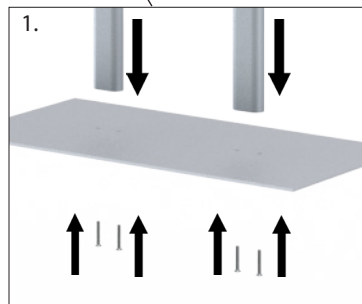
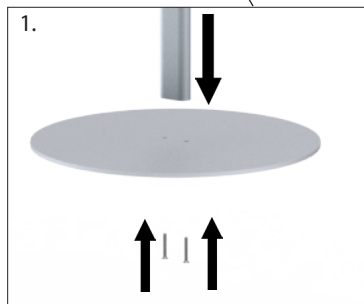
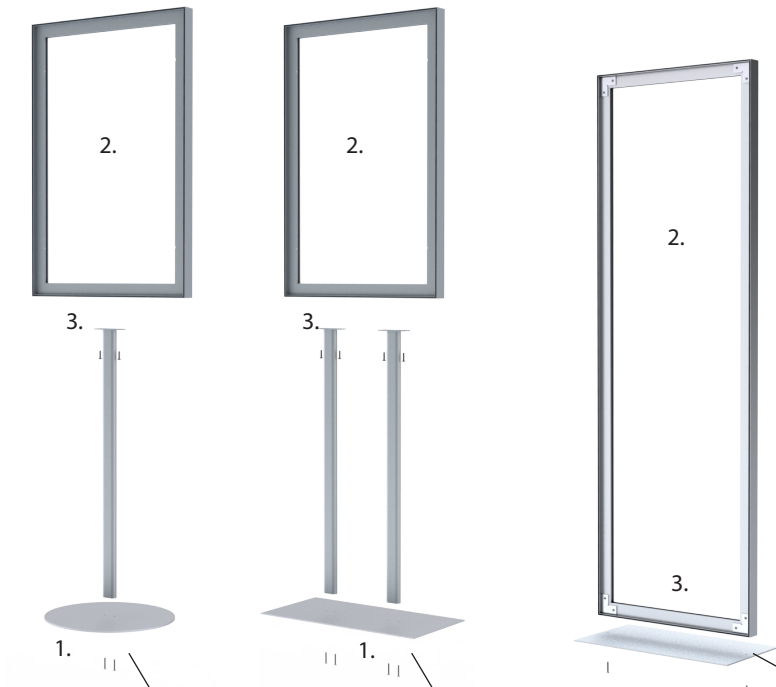
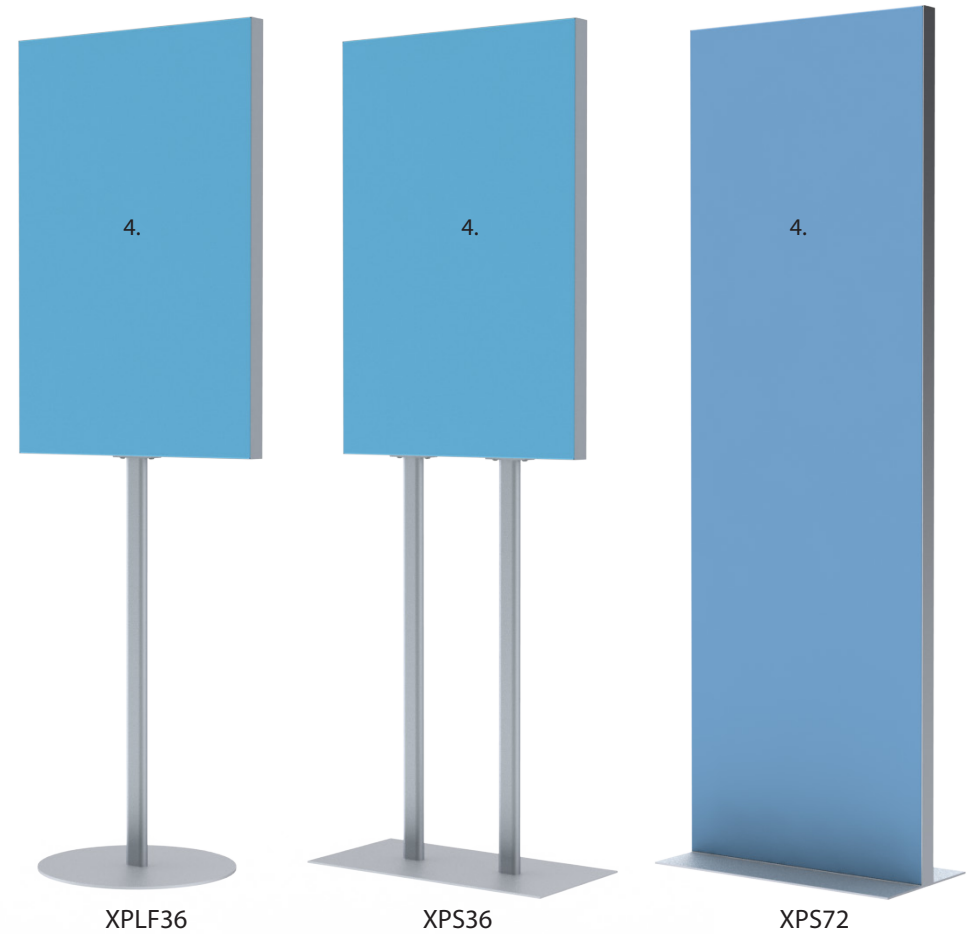


Charisma SEG Expo Stand™ - XP Series

1. Attach the upright/s to the base using the screws provided. For *XPS72 ONLY*, the frame attaches directly to the base
2. Assemble the frame, as shown on next page.
3. Attach the frame to the upright/s using the screws provided. For *XPS72 ONLY*, attach the frame directly to the base using the two screws provided, as shown below.
4. Install the graphic, as shown on next page.



Charisma SEG Expo Stand™ - XP Series

For proper assembly, it is important to notice that two frame-sides have brackets premounted, and two sides do not.

1. Using the screws provided, attach the two frame-sides without bracket to the first frame side with brackets.
2. Connect the second frame-side with brackets to the assembled portion of the frame.
3. To install the graphic, take the corner with the pull tag on it and press about 6"-10" of silicone into the frame channel corner A. Repeat for the opposite corner B. Repeat for the next corner C. Lastly, repeat for the final corner D.
4. After all corners are pressed in, press the silicone into the frame channel at the mid-points on all four sides.
5. Press silicone into frame evenly between the corners and mid-points.

This prevents the graphic from bunching up or stretching too much and will ensure a smooth and tight fit.

6. To remove the graphic from the frame, simply pull up on the pull tag.
7. Repeat graphic installation for reverse side (not shown).

