

1/2" Bleed
1/2" Hidden

Halo Rail

Document Size: Finished Size + 1/2" bleed on each of 4 sides
@100 DPI recommended

Applicable for:

Model #: Finished Size
SN51 to SN59: W=18" to 96"W x H

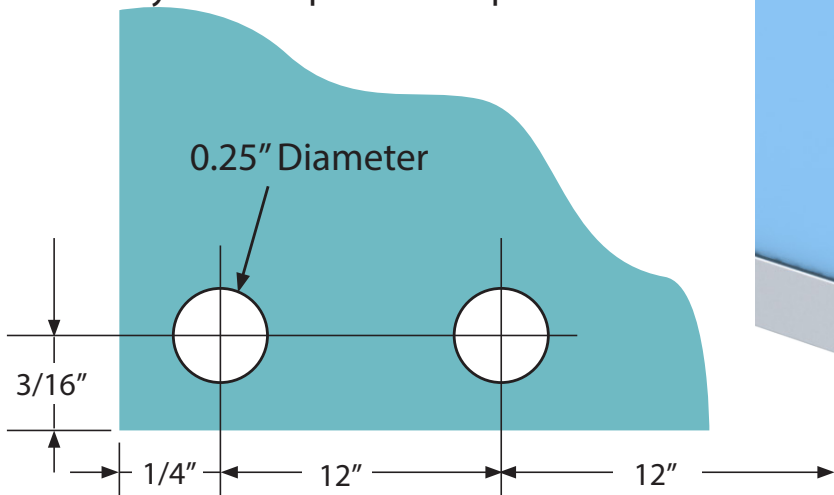
H = Customer specified Graphic Height

File Specs:

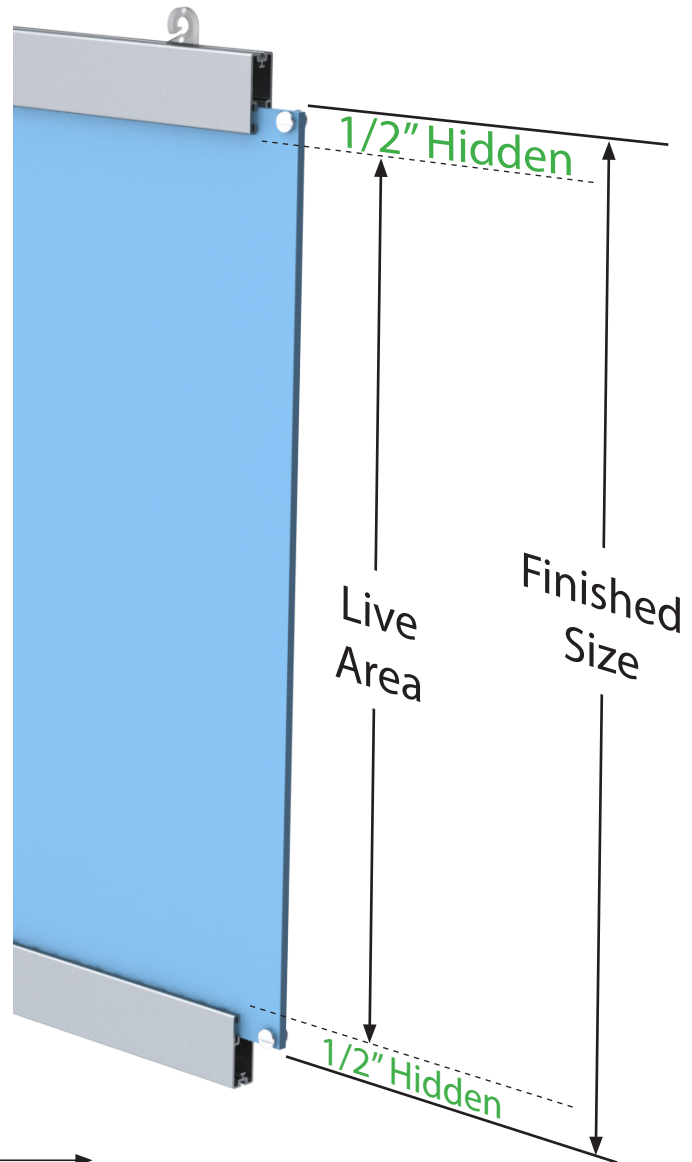
- CMYK
- 100 DPI @ Final Size
- Convert all fonts to outlines
- Provide all linked files
- Provide any critical PMS colors
- 1/2" Bleed on each of 4 sides
- Extend background to full bleed



Styrene Graphic Hole Spec.



(NOT TO SCALE)



1/2" Hidden
1/2" Bleed

1/2" Bleed

1/2" Bleed