

Trapeze Bars™



Custom Trapeze Bars

Sizes, diameters, end caps can be customized.

Single Section Trapeze Bars

Simply Hem Graphics top and bottom for aluminum tubes.

Features:

- Strong and lightweight
- Very easy to use
- Extremely economical
- Satin silver finish
- Shipped one set per polybag

Sold as a top crossbar and bottom crossbar set.

Steel eyebolts are included for top crossbars.

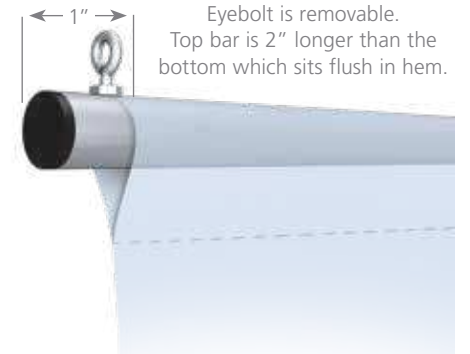
Aluminum alloy tubes, etched and clear anodized finish.

Single Section Trapeze Bars

Model	Banner Width	Diameter
BP01	18"	7/8"
BP02	22"	7/8"
BP03	24"	7/8"
BP04	28"	7/8"
BP05	36"	7/8"
BP06	48"	7/8"
BP07	60"	7/8"
BP08	72"	7/8"
BP011	84"	7/8" *
BP013	96"	7/8" *

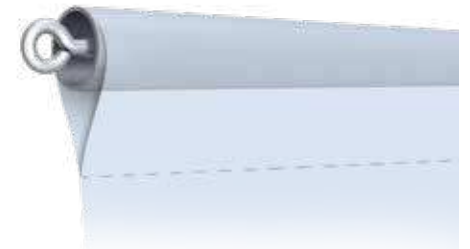
*Has 3rd Eyebolt in center, banner notch required. Not SD compatible.

Standard Configuration



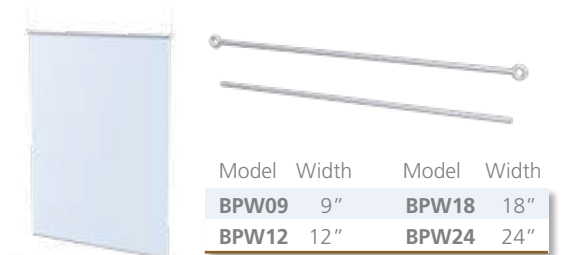
Optional Configuration

Specify: **SD** Side Eyebolts
Same cost as standard configuration.
Ordering Example: **BP06SD**



Baby Trapeze Bar Wire Sets

3/16" diameter steel wire. Tops have loops at each end. Bottoms are straight cut.



Model	Width	Model	Width
BPW09	9"	BPW18	18"
BPW12	12"	BPW24	24"

Multiple Section Trapeze Bars

Simply Hem Graphics
top and bottom for aluminum tubes.

- Strong and lightweight
- Very easy to use
- Extremely economical
- Satin silver finish

Sold as a top crossbar and
bottom crossbar set.

Steel eyebolts are included for top crossbars.

Standard Configuration

Top Bar is 2" longer than bottom bar,
which sits flush inside bottom hem.

SD Side Eyebolts

Not available for BP09-10-12-15-20

Models	Banner Width	Sections	Diameter	# Eyebolts
BP09	96"	2	1-1/4"	3
BP10	120"	2	1-1/4"	3
BP12	144"	2	1-1/4"	3
BP15	180"	3	1-1/4"	4
BP20	240"	4	1-1/4"	5

All eyebolts except those at each end require a banner notch.

Custom Sizes Available.

Disclaimer:

We recommend getting samples and fully testing these products for your application. Purchaser determines suitability of all product usage and assumes all risk & liability. Neither the seller nor the manufacturer shall be held liable for any injury, loss or damage from use of such product.



Multiple section units connect with
solid aluminum turned bushings.