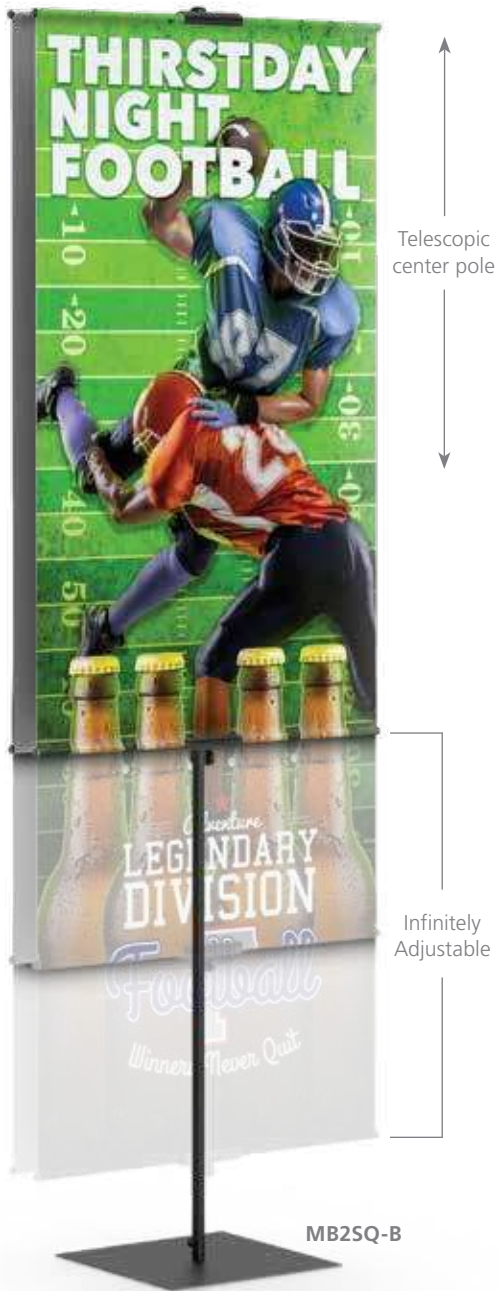


Promo Banner Stands™



Promo Banner Stands™

- Adjustable height, all stands accept graphics up to 72" high
- 3 Mounting Choices: Pole Pocket, SnapGraphic™, Hook/Loop
 - Great price points!



"G" Lock allows quick height adjustments to 72".
5/8" & 3/4" aluminum tube diameters.

Model	Mounting	Width
MB1	Pole Pocket	Single 24"
MB2	Pole Pocket	Double 24"
MB3	Hook/Loop	Single 24"
MB4	Hook/Loop	Double 24"
MB5	SnapGraphic™	Single 24"
MB6	SnapGraphic™	Double 24"

Other widths available special order.
Stands close to 38-3/8".

Specify Color:

-S Silver **-B** Black
same cost

Standard Bases

SQ Standard Square Base:
12" steel base, 3-3/4 lbs.
Solid inner bushing ensures stability. Powder coated finishes.

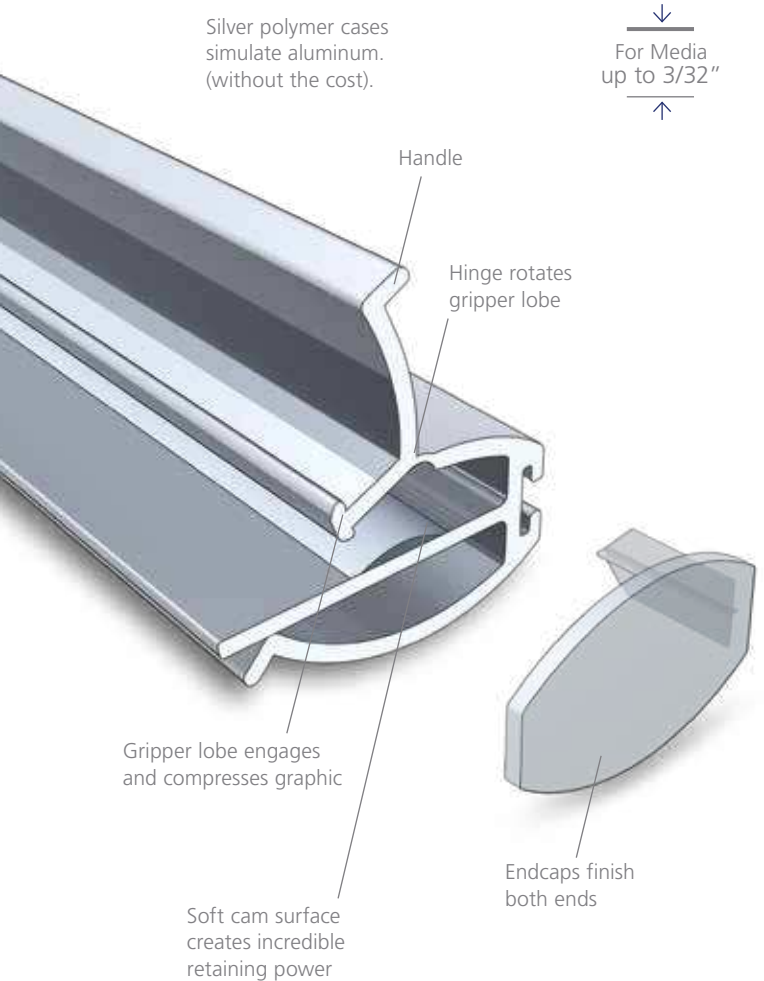


TB Travel Base:
No extra cost. Simply specify **TB**,
use with **EBGX** travel bag.



MB3SQ-B, shown with bottom holder 30" off floor, **LEDBR1** Light, and **PB5C** Brochure Holder.

GCO GripGraphic Banner Stands™



GripGraphic Bars™

Oval co-extruded bars deliver exceptional gripping power at an economical price point.

- No pockets or graphic end treatment required
- Closes easily once graphic is inserted
- Telescopic upright holds graphics up to 96" high
- Bars hold 24" wide graphic media to 3/32" thick

No pockets or graphic end treatment required!

GCOBS1	Holds one 24" Banner
GCOBS2	Holds two 24" Banners

Satin Silver Finish

Patented Technology!
U.S. Utility Patent # 6,637,716
U.S. Design Patent # D-424,120



Accessories



Literature baskets



Bases feature an inner support bushing and a handsome matte satin silver finish.