

# Collage Pop-Ups™

## Tension Fabric



Complete Collage Kit 43K1

### Clever Non Traditional Pop-Up™

- Create 3D effects
- Lightweight aluminum
- Instant set-up - take down
- Incredibly eye-catching
- Infinite configurations
- Padded Roller Bag included

### Pick - a - Kit Catalog



Complete Kits include:  
Custom printed graphics, frame & padded roller bag.



Bolt based system allows easy changes

### Extraordinary 3D Graphic Effects

### Eight Standard Frame Structures



LGP3



LGP6



LGX



LG13



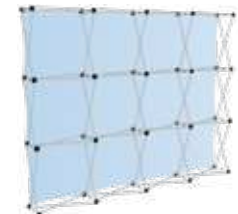
LG22



LG23



LG33



LG43

**Collage Pop-Up- Graphics**

- High impact 720 dpi Dye Sub Printing
- Virtually “wrinkle free” stretch fabric
- Complete catalog with 90 designs at:  
<http://www.displayfolio.com/pdf-viewer/pdf/collage-pick-a-kit-2018.pdf>



**Extraordinary 3D Graphic Effects**



P3K1 Kit



P6K10 Kit



XK1 Kit



**Note:** Flags are stretched to the four points of contact with frame, please keep essential design elements (logos, text) at least 3"-5" from edges to have less distortion. When designing keep in mind focus point is 3"-5" from outer edges. Fabric is **not** transparent.

# Presto Pop-Ups™

## Tension Fabric



PFK33 with GF33A graphic and (2) LEDPU accessory lights.

Superwide sizes available see page 135

### A Virtual Portable Billboard

- Graphic stays attached to frame in bag
- Hook perimeters included
- Incredibly easy, two minute set-up without tools
- Free oversized nylon carry bag with every frame
- Upgraded Portable Exhibit Cases available
- Ultra lightweight alloy tubes
- Matte silver finish
- Adjustable leveling feet
- Bolt based system, add or subtract components



Perfect for:

Tradeshows

Exhibits

Step & Repeat Backdrops

Retail Environments



Specify: **FRAME** Model Note: **EPB1** Brackets sold separately.

Model	W x H	Weight	# EPB1 Brackets needed for use with end panels
PFK13	1 x 3 Quads	16 lbs.	8
PFK22	2 x 2 Quads	17 lbs.	6
PFK23	2 x 3 Quads	20 lbs.	8
PFK32	3 x 2 Quads	20 lbs.	6
PFK33	3 x 3 Quads	23 lbs.	8
PFK43	4 x 3 Quads	31 lbs.	8
PFK44	4 x 4 Quads	36 lbs.	10
PFK53	5 x 3 Quads	36 lbs.	8
Curved			
PFK33C	3 x 3 Quads	25 lbs.	8
PFK43C	4 x 3 Quads	31 lbs.	8

Note: Each quad is approximately 30" x 30".



Travel Bag included with every unit.



# Presto Pop-Ups™ Tension Fabric

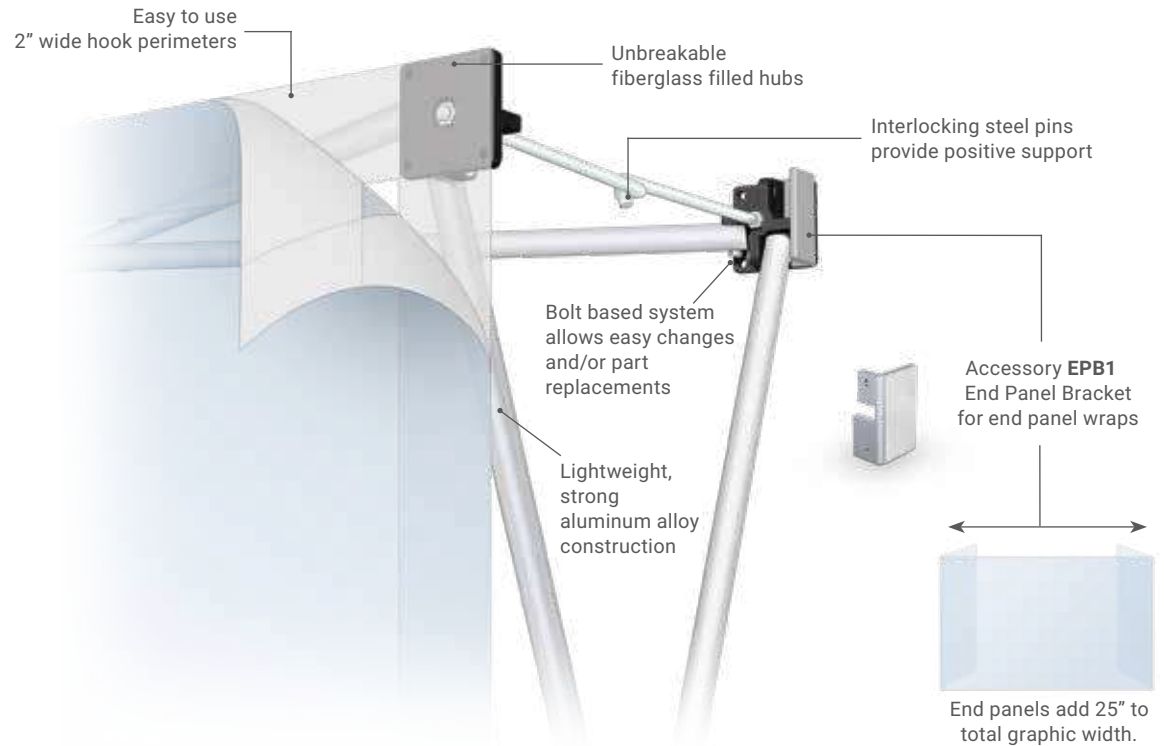
## Presto Pop-Ups™ - Dye Sub Fabric Graphics

- High impact Dye Sub Printing on fabric
- Virtually “wrinkle free” stretch fabric
- Designed and engineered for this application
- Custom printed from your art work

Specify: **Dye Sub GRAPHIC** Model .

	Without End Panels W x H	with End Panels W x H
<b>GF13A</b>	31" x 88.25"	<b>GF13B</b> 56" x 88.25"
<b>GF22A</b>	59.5" x 59.5"	<b>GF22B</b> 84.5" x 59.5"
<b>GF23A</b>	59.5" x 88.25"	<b>GF23B</b> 84.5" x 88.25"
<b>GF32A</b>	88.25" x 59.5"	<b>GF32B</b> 113.25" x 59.5"
<b>GF33A</b>	88.25" x 88.25"	<b>GF33B</b> 113.25" x 88.25"
<b>GF43A</b>	117.375" x 88.25"	<b>GF43B</b> 142.375" x 88.25"
<b>GF44A</b>	117" x 117"	<b>GF44B</b> 142" x 117"
<b>GF53A</b>	145.75" x 88.25"	<b>GF53B</b> 170.75" x 88.25"
Curved		
<b>GF33AC</b>	80" x 88.25"	<b>GF33BC</b> 105" x 88.25"
<b>GF43AC</b>	106" x 88.25"	<b>GF43BC</b> 131" x 88.25"

Note: Most Templates available online, Must add bleeds, etc.



## The Ultimate in Presentation Convenience!

Our American made frame is the unsurpassed standard in Quality and Value.

These units “Pop-UP” and assemble in minutes. Graphics can stay attached to frame when closed.

Presto Pop-Up displays are ultra easy to set-up and the amazing quality dye sub graphic ensures maximum impact.



Curved Presto Frame **PFK43C**, **GF43BC** graphic with end panels.

## Tension Fabric Structures



### EPB1 End Panel Brackets

Facilitate the wrapping of the sides, adding 25" to total graphic width. A bracket is needed for each outer hub and assembly is easy. Both straight and curved units can have their sides wrapped.



EPB1 Brackets easily attach to frame with screws.



### Completely enclosed on 4 sides

Front, back and sides, End Panel Brackets are required, plus an extra Velcro® brand hook perimeter.

PFK32 straight frame, EPB1 end panel brackets, 32VB extra hook perimeter, GF32A and a GF32B graphic.

### Curved unit with end panels:

PFK43C curved frame, EPB1 end panel brackets (8), GF43BC graphic face.



### Marquise Shaped Steel Weighted Base

PFKWB Laser cut. Must be ordered with frames, as we pre-punch matching holes. Weight 8 lbs.

### JB1 Joining Brackets

• Join frames together, call to determine quantity.

