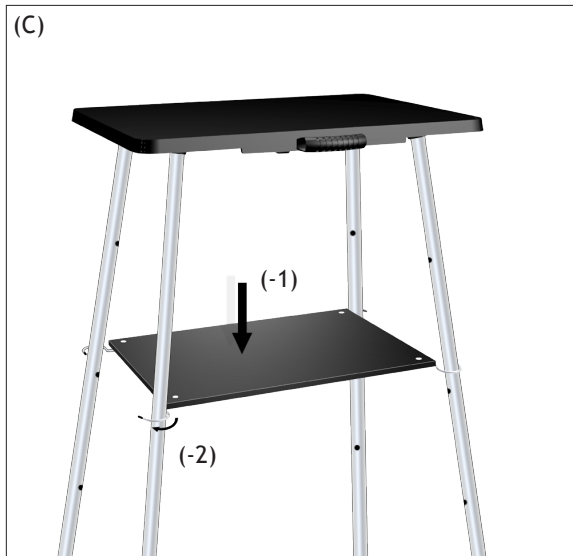
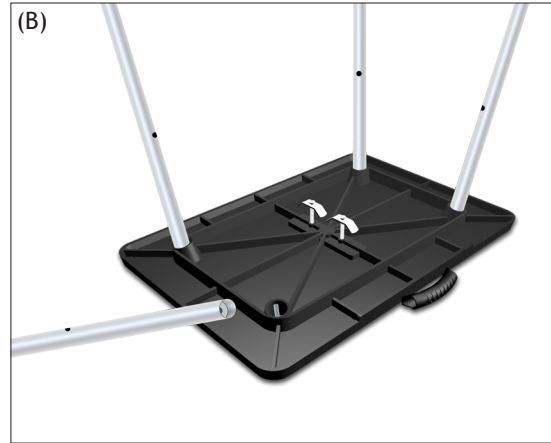
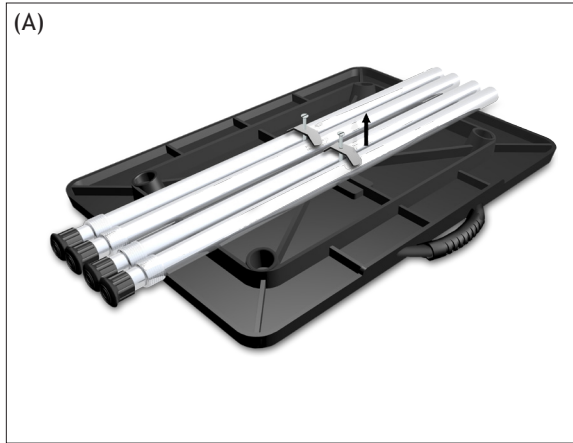


# Exhibitor Products (Projector Stand™)

Applicable Products:

SPS Series

1. Loosen brackets and remove legs from top underside (fig. A).
2. Screw legs into top (fig. B).
3. Insert utility shelf (optional) in between uprights (fig. C-1). Secure with hooks (fig. C-2).
4. Adjust pole to desired height using push buttons (not shown).



Shown with SPS4U Utility Shelf.  
Sold separately.