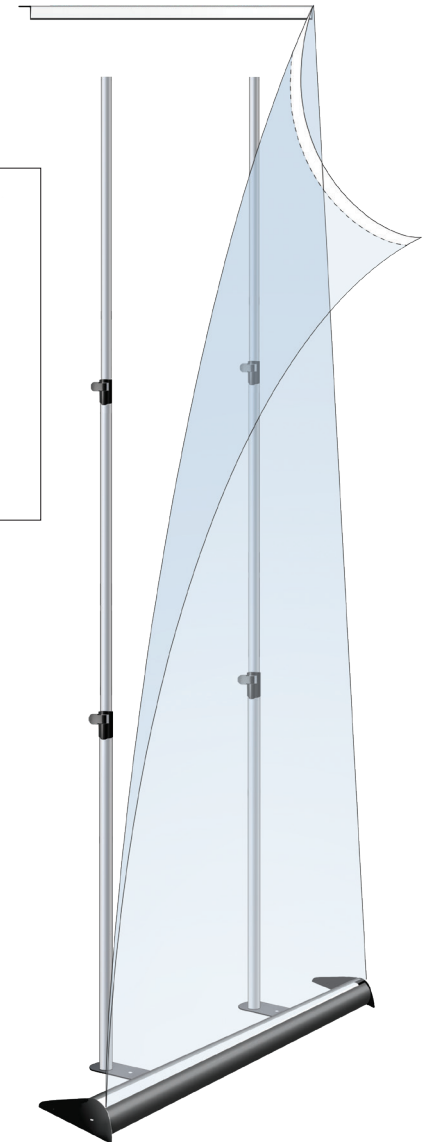
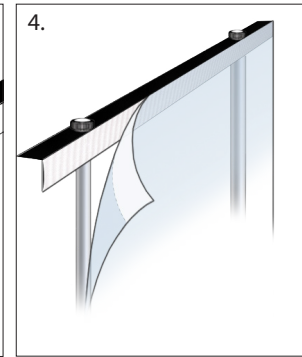
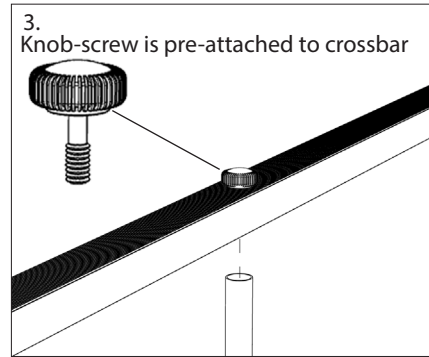
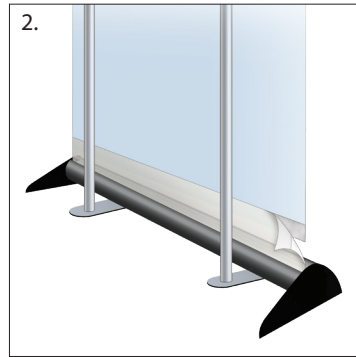
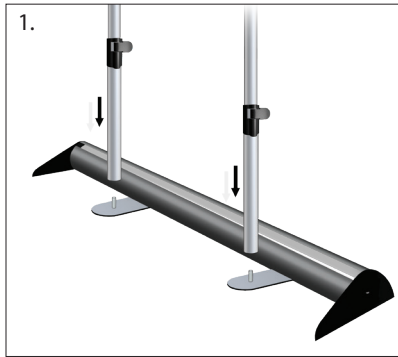


# Mercury™ Banner Stand - RY5, RY7

1. Mount poles onto base using flathead screw.
2. Attach banner to retractable vinyl with Velcro hook and loop.
3. Fasten the crossbar to the top hole of the uprights using the pre-attached knob-screws. Tighten firmly.
4. Attach Banner
  - If Textile: Top & Bottom: Use the pressure sensitive adhesive backing on the Velcro to put squarely onto graphic and then sew.
  - If Paper: Top: Attach supplied Velcro squarely to top of graphic with pressure sensitive adhesive supplied.  
Bottom: Attach supplied Velcro to bottom the same way, but reinforce with industrial packing tape for a smooth finish (helps guard against unwanted binding).



RY5 shown