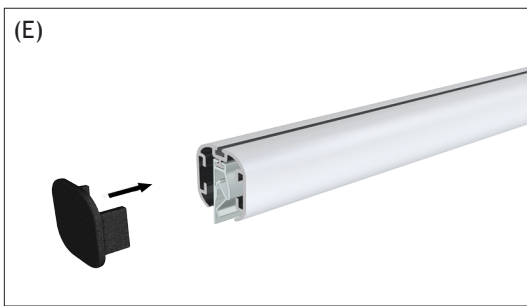
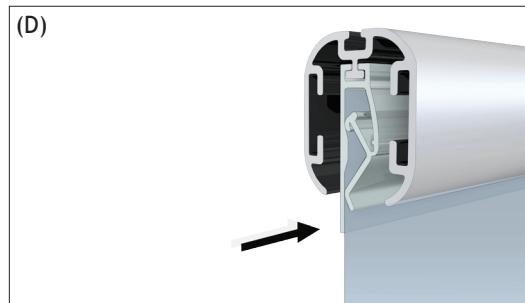
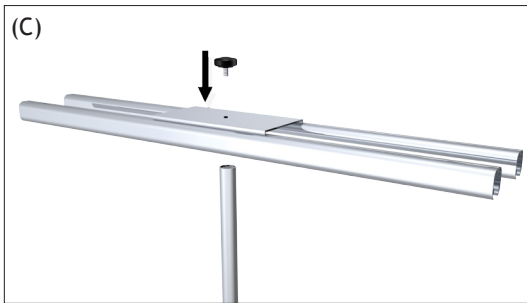
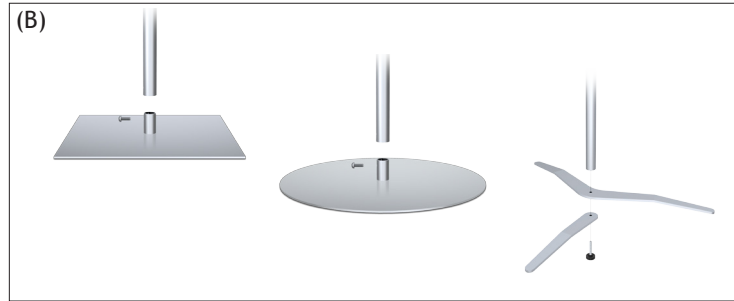
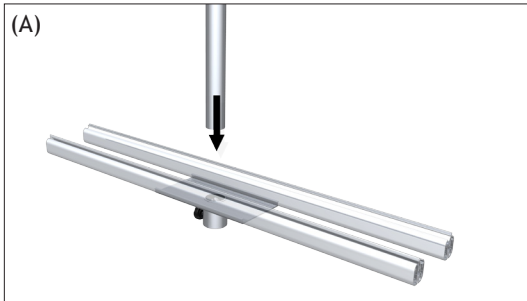


# Banner Stands (GripGraphic™)

Applicable Products:

GS2 & GS3

1. Slide bottom holder onto largest diameter pole and secure with knob (fig. A).
2. Determine base style and mount pole to base as shown (fig. B).
3. Screw top holder onto top of pole using knob (fig. C).
4. Insert graphic into gripper, then slide gripper into bar (fig. D).
5. Insert endcaps into bars (fig. E).



BASES

