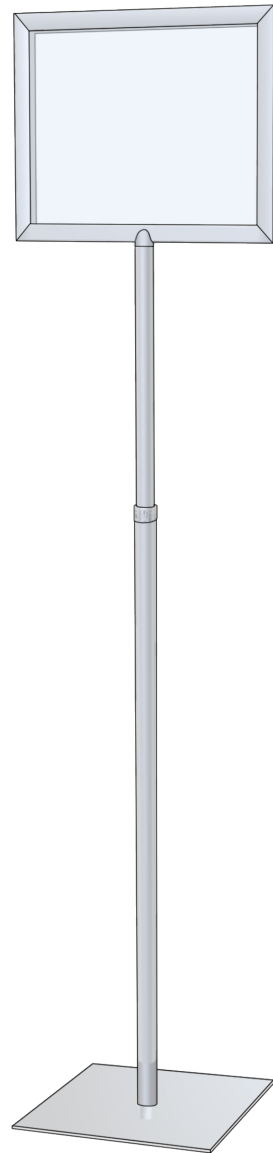
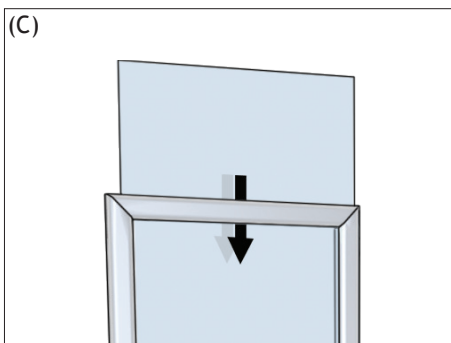
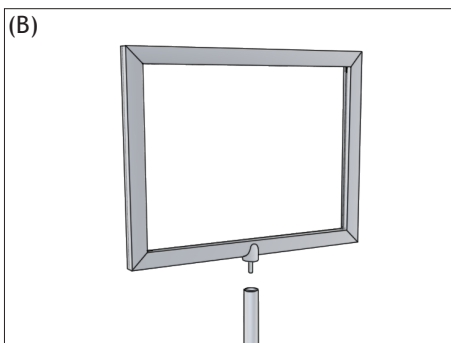
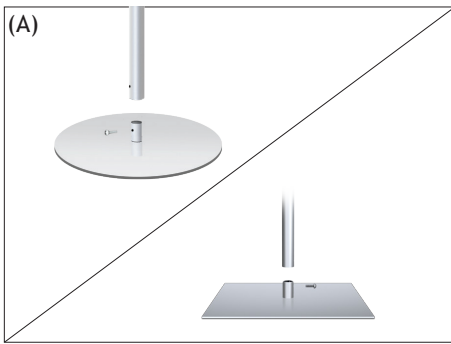


Pedestal Aluminum Signframe

1. Attach pole to base using screw provided (fig. A).
2. Screw frame onto pole. Do not overtighten (fig. B).
3. Insert graphic into frame (fig. C).

Applicable Products:

SF3 SF5
SF4 SF6



ACCESSORIES

