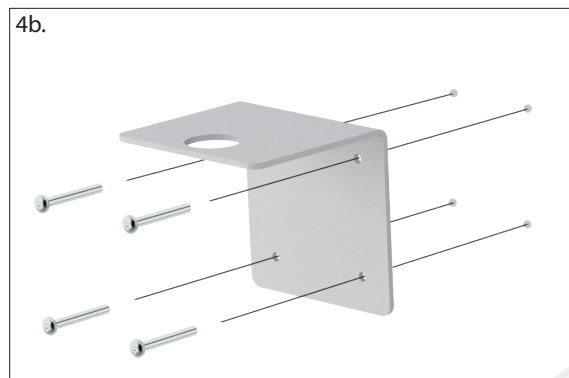
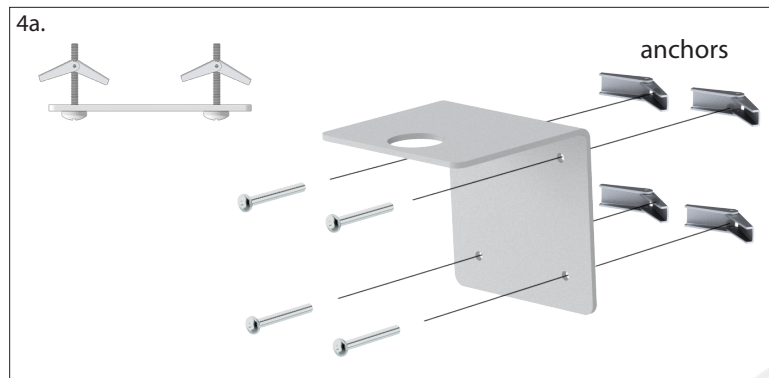


Hand Sanitizer Wall Mount - HSTW

For installation onto **PLASTERBOARD/DRYWALL:**

PROFESSIONAL INSTALLATION is recommended

1. Hold the Hand Sanitizer Wall Mount in the desired location for mounting along the plasterboard/drywall.
2. With a pencil, mark the locations of both holes onto the plasterboard/drywall.
3. Create clearance holes through plasterboard/drywall using 3/8" drill bit.
- 4a. Mount the Hand Sanitizer Wall Mount to the plasterboard/drywall using the provided molly anchors.
5. Separate the pump dispenser head from the bottle, and attempt to attach to the wall mount bracket. Slide the pump dispenser through the hole in the steel plate and re-attach the pump dispenser head. If the hole is too large and the dispenser falls through, use the included washer to narrow the hole as shown.



For installation onto **WOOD STUD:**

PROFESSIONAL INSTALLATION is recommended

1. Hold the Hand Sanitizer Wall Mount in the desired location for mounting on the wood stud.
2. With a pencil, mark the locations of both holes onto the stud.
3. Create pilot holes on the wood using a #48 or 1/16" drill.
- 4b. Mount the Hand Sanitizer Wall Mount to the stud using the provided wood screws.
5. Slide the pump dispenser through the washer (if needed) and the Hand Sanitizer Wall Mount bracket as shown.

