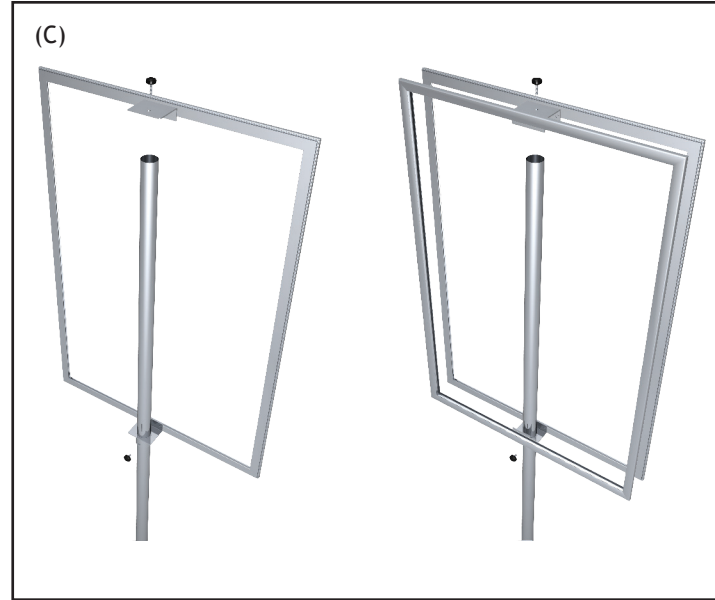
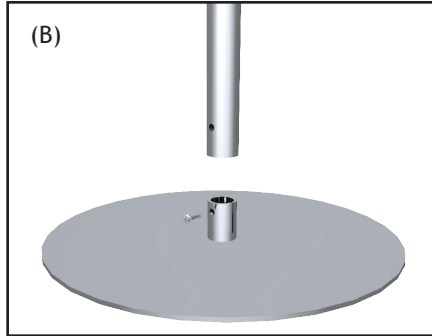


Futura Easy-Open Signframes

1. Screw two pole sections together (fig. A).
2. Screw pole onto base using Phillips head screw (fig. B).
3. Slide frame onto pole and secure with knobs (fig. C).



Applicable Products:

FME
FEO

