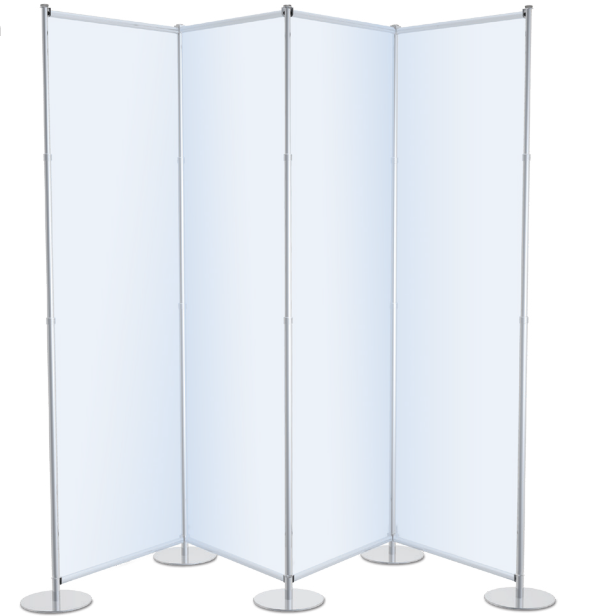
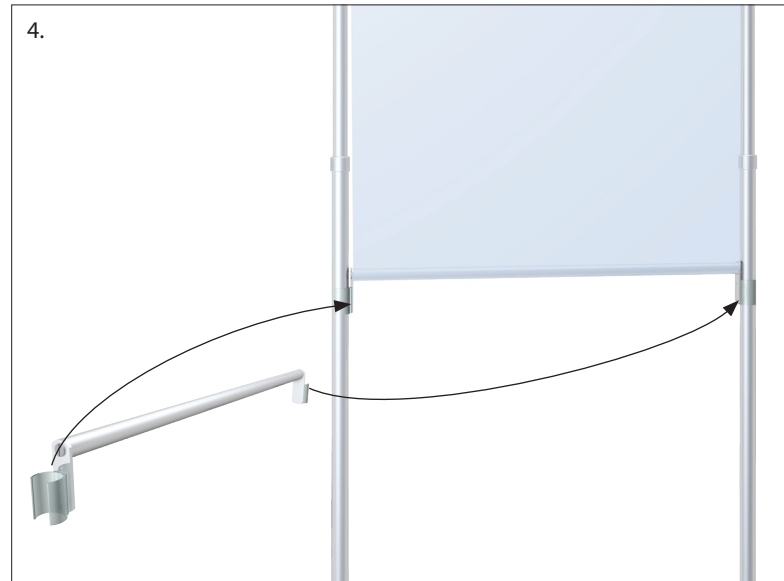
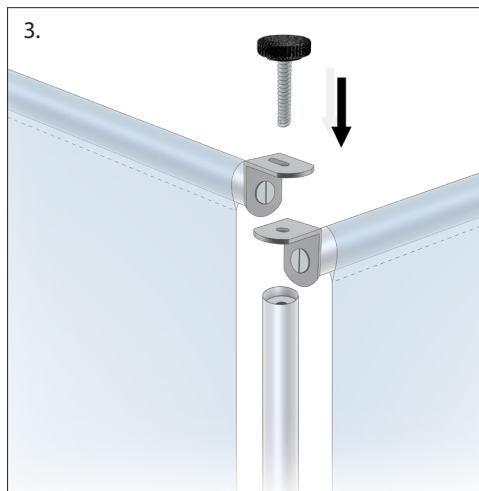
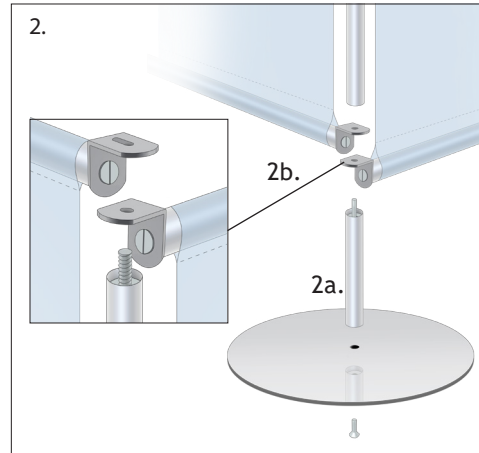
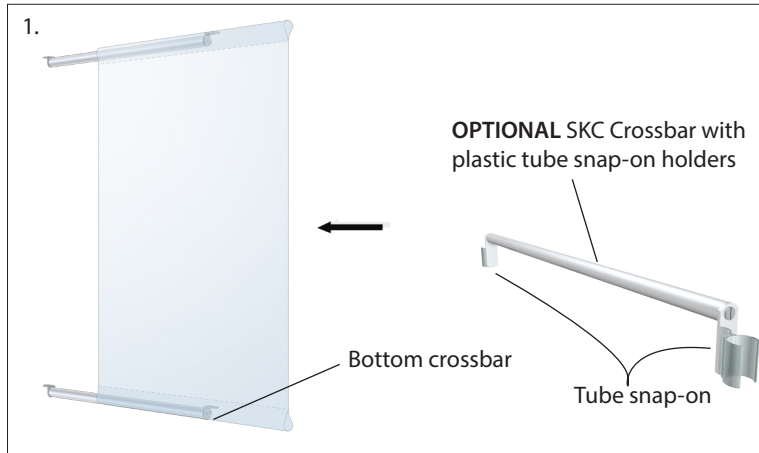
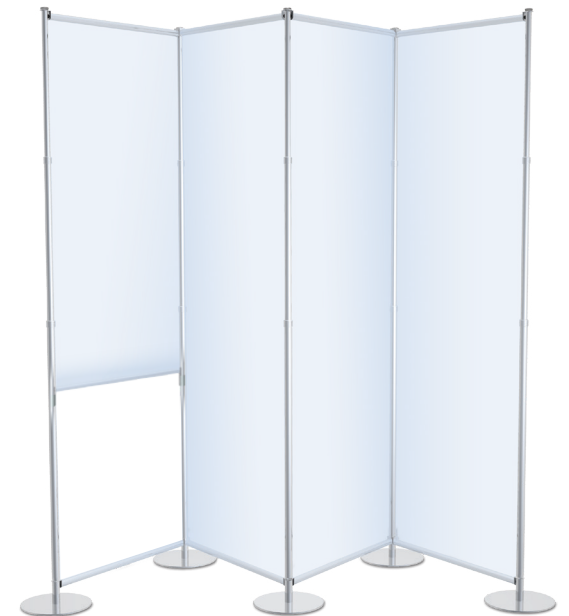


Fixed Width Partitions™ - PT Series

1. Slide banners over crossbars and "L" brackets. If using the **OPTIONAL SKC** adjustable height crossbar, slide the bottom of the graphic onto the SKC crossbar, instead of the bottom crossbar.
2. Screw 3" standoff onto bases using flathead screw (make sure the slotted bracket is on top). Place crossbars in between standoff and upright and screw together (make sure the slotted bracket is on top).
3. Screw top crossbars onto uprights using round knobs.
4. If using the **OPTIONAL SKC** adjustable height crossbar, snap the end holders of the crossbar onto the uprights.



PT2 shown



PT2 with SKC1 shown