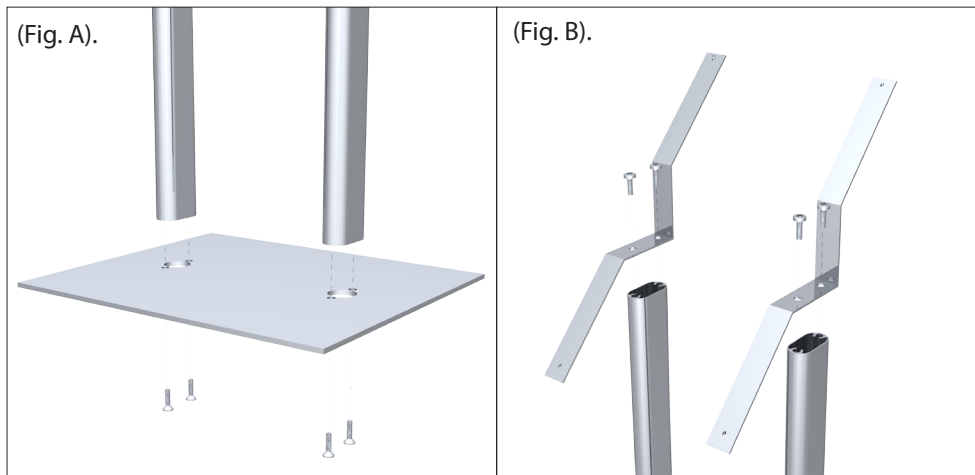


# Easy-Open Snapframe Pedestal Stands

1. Attach base to uprights using 4 flat-head screws provided (Fig. A).
2. Attach two brackets to the uprights using 4 additional screws provided (Fig. B).
3. Attach the Snapframe to the brackets using the 4 smaller screws. Screws **MUST** go through the frame first, then into the brackets (Fig. C).



## Applicable Products:

Easy-Open Snapframe  
Pedestal (ETD)

