

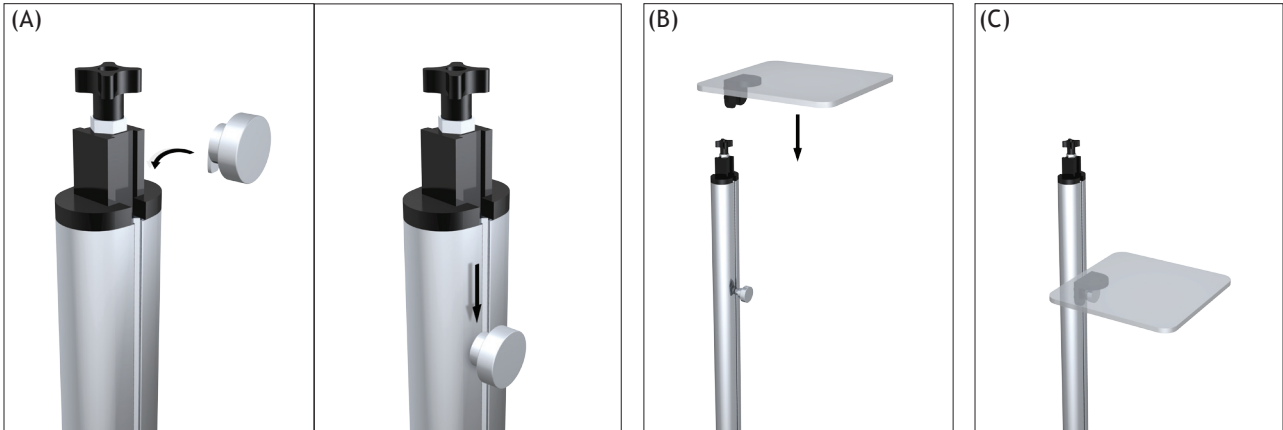
Visual Merchandising (Creo™)

Applicable Products:

- Oval Shelf (CROS-S)
- Round Shelf (CRRS-S)
- Shoe Shelf (CRSF-S)
- Square Shelf (CRSS-S)

**NOTE: Most upright components must be installed before completing unit assembly.
End user determines component location.**

1. Insert puck glides into upright channel. Slide pucks to temporary location (fig. A).
2. Align shelf bracket with puck (fig. B).
3. Sandwich bracket in between upright and puck and tighten puck to secure (fig. C).



CROS



CRRS



CRSF



CRSS