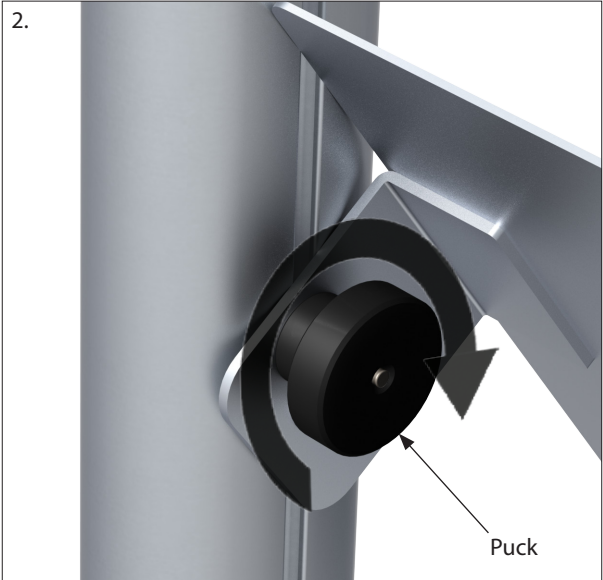
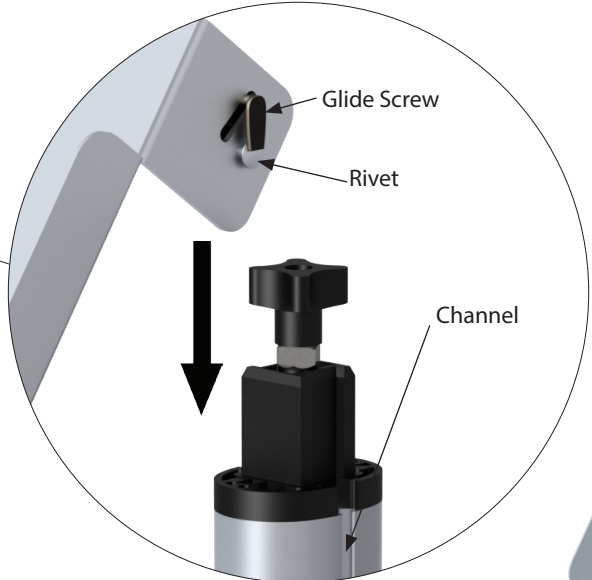
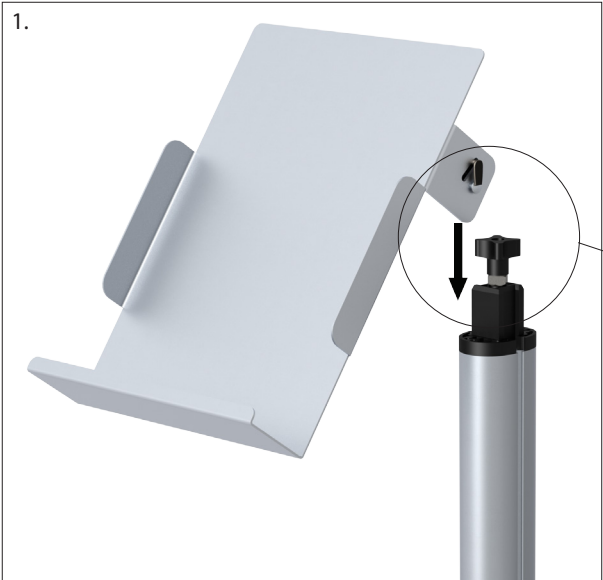


# Steel Holder Side - CRLS (Creo™)

- 1. Align glide screw and rivet with channel of upright, then slide into place. Glide screw and rivet both go into the channel.
- 2. Tighten puck to secure position.



CRLS-L shown