

# Visual Merchandising (Creo™)

## Applicable Products:

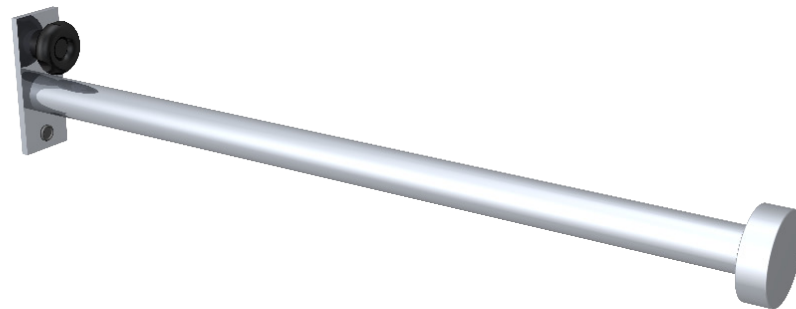
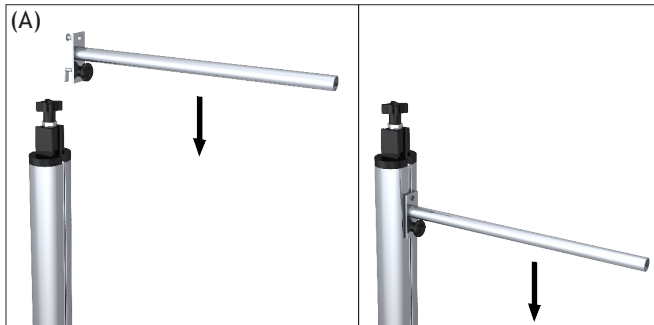
Graphic Rods (CRGR)

**Bottom Arm** - Slide knob rest glide and foot of bottom customer arm bracket into upright channel. Move to desired location and tighten knob rest to secure (fig. A).

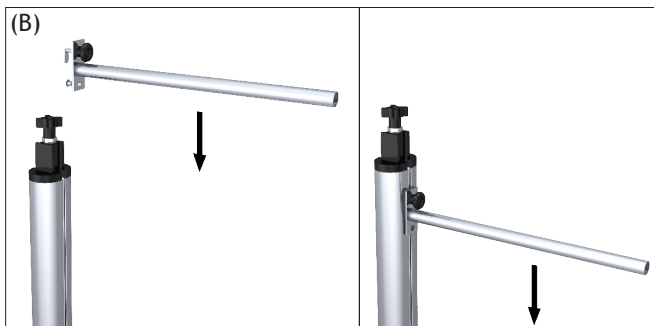
**Top Arm** - Slide knob rest glide and foot of top customer arm bracket into upright channel. Move to desired location and tighten knob rest to secure (fig. B).

**Graphic** - Slide graphic over top and bottom customer arms. Screw finishing pucks onto customer arms to complete assembly (fig. C).

Bottom Arm (Note: Knob rest must be BELOW arm)



Top Arm (Note: Knob rest must be ABOVE arm)



NOTE: CREO instruction sheets are meant to act as a reference guide to help you install your unit. In some cases, images shown in the instruction sheet will differ from your custom product. However, the installation concepts remain the same. End user will determine where additional components are placed. Please refer to additional CREO instruction sheets where applicable. Most importantly: **Always remember to work from the bottom up!**