

2012

NEW

PRODUCTS

Testrite[®]

catalog supplement

Testrite[®]
Visual

... value driven, American made.

MAGNETIC

Structo Magnetic Frames™

WALL MOUNT

Five sided boxes have a magnetic receptive front surface. 2" deep, available in satin silver or matte black finish. Orientation choice not necessary. Wall mounted hardware suitable for vertical or horizontal use.



CEILING HUNG

Six sided steel boxes have magnetic receptive surfaces on both front and back surfaces. 2" deep, available in satin silver or matte black finish. Ceiling hung units have 2 eyebolts included - Indicate vertical or horizontal please.



MUSEUM BOX EFFECT

TABLETOP UNITS

Six sided steel boxes have magnetic receptive surfaces on both front and back surfaces. 2" deep, available in satin silver or matte black finish. Tabletop units have two 4" x 6" feet. - Indicate vertical or horizontal please.



Specify: Model –Color*

Model	Size	Wt.	Color*
OGW1	11" x 17"	4 lbs.	-S Satin Silver
OGW2	14" x 22"	5 lbs.	-B Matte Black
OGW3	18" x 24"	6 lbs.	* Does not affect price.
OGW4	22" x 28"	8 lbs.	
OGW5	24" x 36"	10 lbs.	
OGW6	30" x 40"	12 lbs.	

Specify: Model –Style* –Orientation* –Color*

Model	Size	Wt.	Style*	Color*	
OG1	11" x 17"	6 lbs.	C Ceiling	-S Satin Silver	
OG2	14" x 22"	8 lbs.	T Tabletop	-B Matte Black	
OG3	18" x 24"	10 lbs.	Orientation*	* Does not affect price.	
OG4	22" x 28"	14 lbs.			V Vertical
OG5	24" x 36"	17 lbs.			H Horizontal
OG6	30" x 40"	21 lbs.			

Attach graphics with flexible magnetic strips. 1/16" thick, x 1" wide 50' roll. **MGT1**



OR

Print directly on flexible magnetic sheets.



CUSTOM SIZES AND COLORS AVAILABLE!

RECEPTIVE

Structo Magnetic Frames™

ECONOMICAL - CHANGE GRAPHICS IN SECONDS



WALL MOUNT - CEILING HUNG - TABLETOP - CLEAN UPSCALE LOOK!

ALUMINUM

FrameGraphixMagnetic™

... JUMBO FORMAT

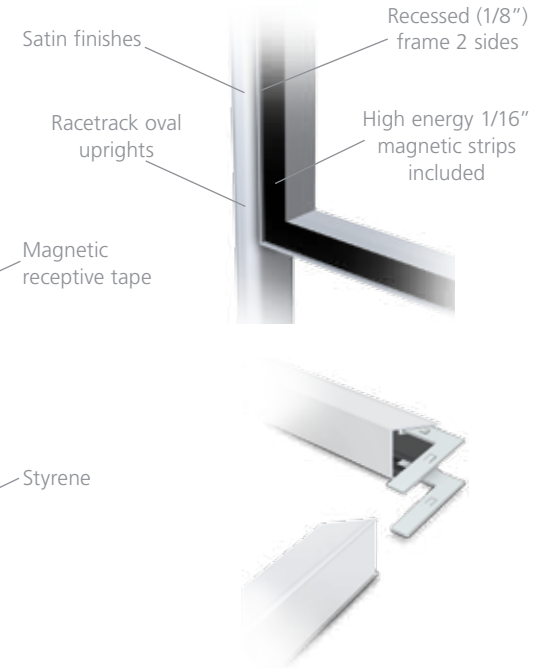
- Recessed graphic seats
- Aluminum frame & oval uprights
- Strong magnetic perimeters
- Satin matte finishes

CHANGE OUT GRAPHICS IN SECONDS



Laser cut, 9 lb. base, 18" long, 8-3/4" wide

Frame bottoms start 12" off floor, except 48" high models which are 24" high.



Frames ship KD ready to assemble, for big freight savings. Once assembled, cannot be taken apart.

Floor Stands

- Magnetic two sides
- Recessed two sides
- Rock solid
- Ultra clean look

OGJS1	36" x 48"
OGJS2	36" x 60"
OGJS3	36" x 72"
OGJS4	36" x 96"
OGJS5	48" x 48"
OGJS6	48" x 60"
OGJS7	48" x 72"
OGJS8	48" x 96"

Wall Mount Frames

- Magnetic one side
- Mounting hardware for vertical and/or horizontal
- Ultra clean look

OGJW1	36" x 48"
OGJW2	36" x 60"
OGJW3	36" x 72"
OGJW4	36" x 96"
OGJW5	48" x 48"
OGJW6	48" x 60"
OGJW7	48" x 72"
OGJW8	48" x 96"

Graphic Media

Suggest using .060" Styrene with our magnetic receptive tape that has a pressure sensitive adhesive.



OGMRS - Magnetic receptive tape .025" x 1" 100 feet with pressure sensitive adhesive.

Styrene is great as it can be rolled to save on freight costs.

-S Satin Silver -B Matte Black

DISPLAY

PortaPole™

TELESCOPIC TO THE CEILING

- Movable clamp assemblies
- Beautiful satin finishes
- Aluminum construction
- Opens 12', closes 7'

With 17" Round 12 lb. Base

VCST31 Single sided (2 clamps)

VCST32 Double sided (4 clamps)

-S Satin Silver -B Matte Black

With Suction Cup Base

Specify: -Model -Top* -Color*

VPP1 Single sided PortaPole

VPP2 Double sided PortaPole

Top*

Color*

A Suction Cup

-S Satin Silver

B Ceiling Grid Clip

-B Matte Black

* Does not affect price.

Accessories:

Sometimes 12' isn't high enough.
Extensions attach to the top pole.

VPP4 48" extension pole

VPP8 96" extension pole

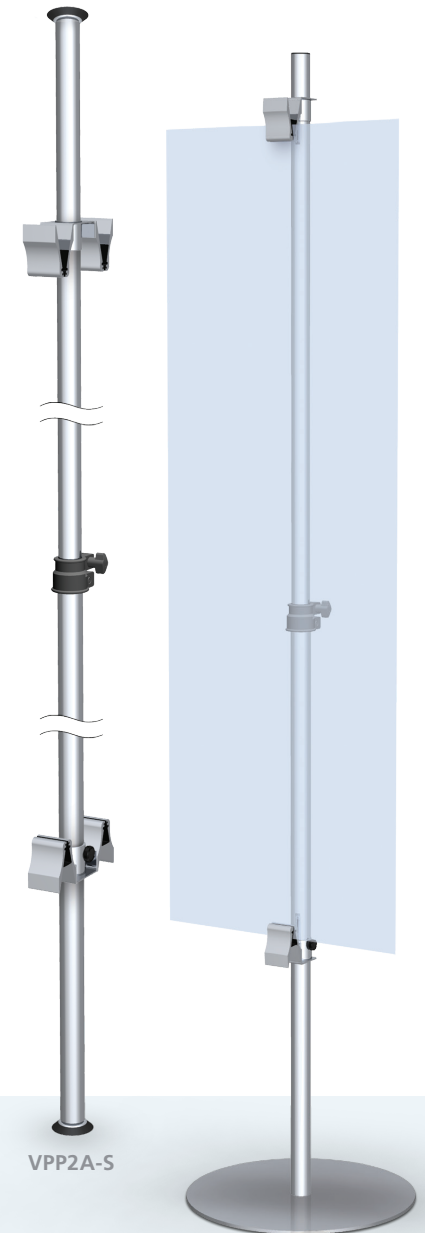


Fits both 1-3/8" & 1-1/2" diameter poles.

VCE3 Extra single sided clamp.

VCE4 Extra double sided clamp.

-S Satin Silver -B Matte Black



VPP2A-S

VCST31-S

LIGHTWEIGHT, STRONG,
ALWAYS READY TO USE - PORTAPOLE

VPP1B-S with (2) **VCE3**
extra single sided clamps.

MONSTER

Hanging Monster Frames

STRONG, AESTHETICALLY BEAUTIFUL

- Jumbo aluminum profile
- Handsome matte finishes
- Top 1/4" full entry slots
- All metal construction
- Ships fully assembled
- Individually boxed



HANGING OPTIONS:



Metal eye bolts



Corner brackets with holes



Custom grid ceiling hanging option.

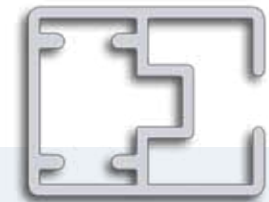
Specify: Model–Hanging*–Color*

Model	Graphic Size
NSH1	14" x 22"
NSH2	22" x 28"
NSH3	24" x 36"
NSH4	30" x 40"
NSH5	36" x 48"

Hanging*	
W	Wall
P	Ceiling Portrait
L	Ceiling Landscape

Color*	
-S	Satin Silver
-B	Black Matte

* Doesn't affect price, but must use to order.



Large format alloy frame.



Full 1/4" top entry slot.



3/8" margin, 1-1/4" wide frame.

BUILT TO LAST!

MONSTER

Monster SignHolders

GREAT FOR HIGH TRAFFIC VENUES



BUILT TO LAST!

- Wide format alloy frame
- Racetrack oval upright
- 1/4" full top entry slot
- Ultra easy assembly
- 19" round, 15 lb. base
- Handsome matte finishes

NST1422	14" x 22"	59" h	19 lbs.
NST2228	22" x 28"	65" h	20 lbs.
NST2436	24" x 36"	73" h	21 lbs.

-S Satin Silver -B Matte Black

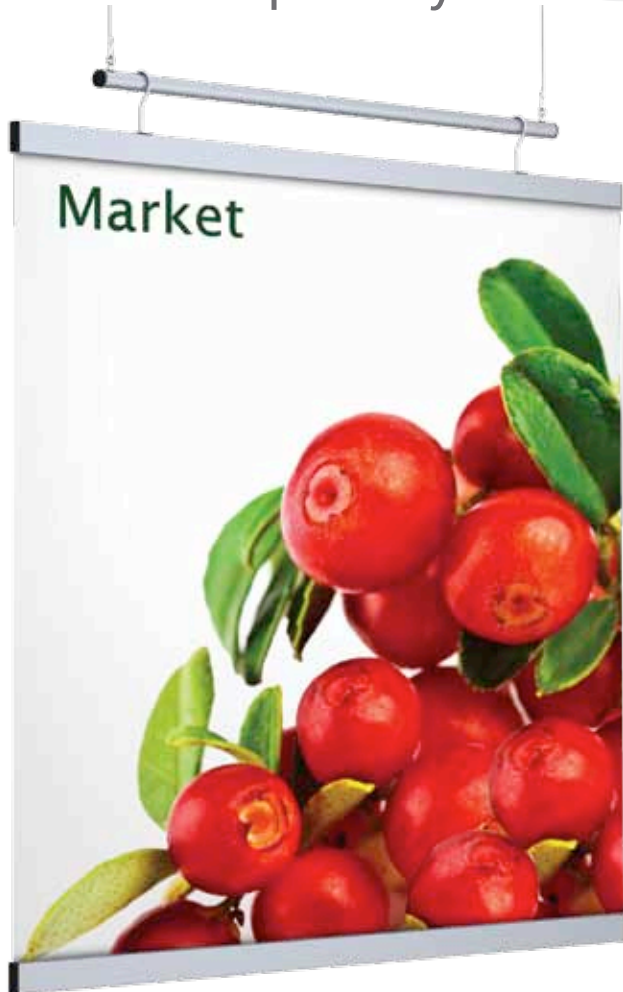
Clear lenses. Sold in pairs.

CPL6	14" x 22"
CPL7	22" x 28"
CPL8	24" x 36"



HANGING

J Hook Trapeze System™



JBP03 Trapeze Bar with a JSN5-S SnapGraphic Gripper Bar Set.



TRAPEZE BARS



Aluminum, clear anodized finish.
Steel eyebolts, flush insert end caps.



Wide variety of hanging holders available.

TRAPEZE BARS

3/4" Diameter

Models	Width Between Bolts	Sections
JBP03	24"	1
JBP05	36"	1
JBP07	60"	1
JBP09	96"	2

Color*

-S Satin Silver

-B Matte Black

*Does not affect price, but must use to order.

Custom variations available!



SNAPGRAPHIC HOOK SETS



Ingenious gripper snaps closed after graphic insertion with incredible torque. No end treatment required.

SNAPGRAPHIC HOOK SETS

Top (with J Hooks) & Bottom Bar

Specify: Case—Length—Color*

Case

JSN1 Oval - 1" long

JSN5 Rectangular - 1-1/2" extra long

Length

1 - 18" 4 - 28" 7 - 60"

2 - 22" 5 - 36" 8 - 72"

3 - 24" 6 - 48" 9 - 96"

Color*

-S Satin Silver

-B Matte Black

Custom lengths available.

*Does not affect price, but must use to order.

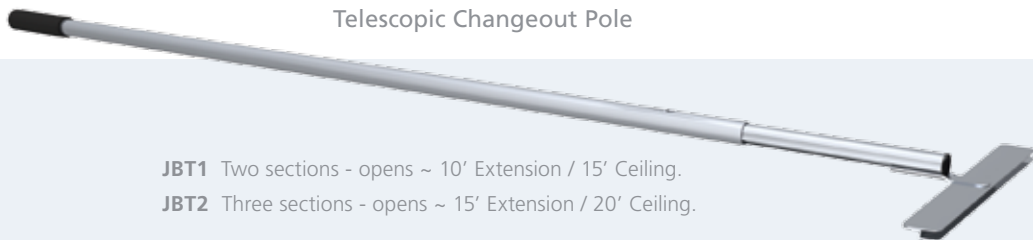
HANGING

J Hook Trapeze System™



CHANGE OUT SIGNAGE
WITHOUT GETTING ON A LADDER.

Telescopic Changeout Pole



JBT1 Two sections - opens ~ 10' Extension / 15' Ceiling.

JBT2 Three sections - opens ~ 15' Extension / 20' Ceiling.

ALUMINUM

Slimline SnapGraphic™



Grip Graphics up to 50 mil (.050") thick.

Ingenious gripper snaps closed after graphic insertion with incredible strength, torque and care.

Patented!

U.S. Utility Patent # 6,637,716
U.S. Design Patent # D-424,120

- Beautifully finished aluminum case
- No graphic end treatment required



SOLD AS A KIT
Top & bottom crossbar with 2 universal hanging clips.

Specify: Case—Length—Color*

Case

SN5 Rectangular, long

Length

1 - 18" **4** - 28" **7** - 60"

2 - 22" **5** - 36" **8** - 72"

3 - 24" **6** - 48" **9** - 96"

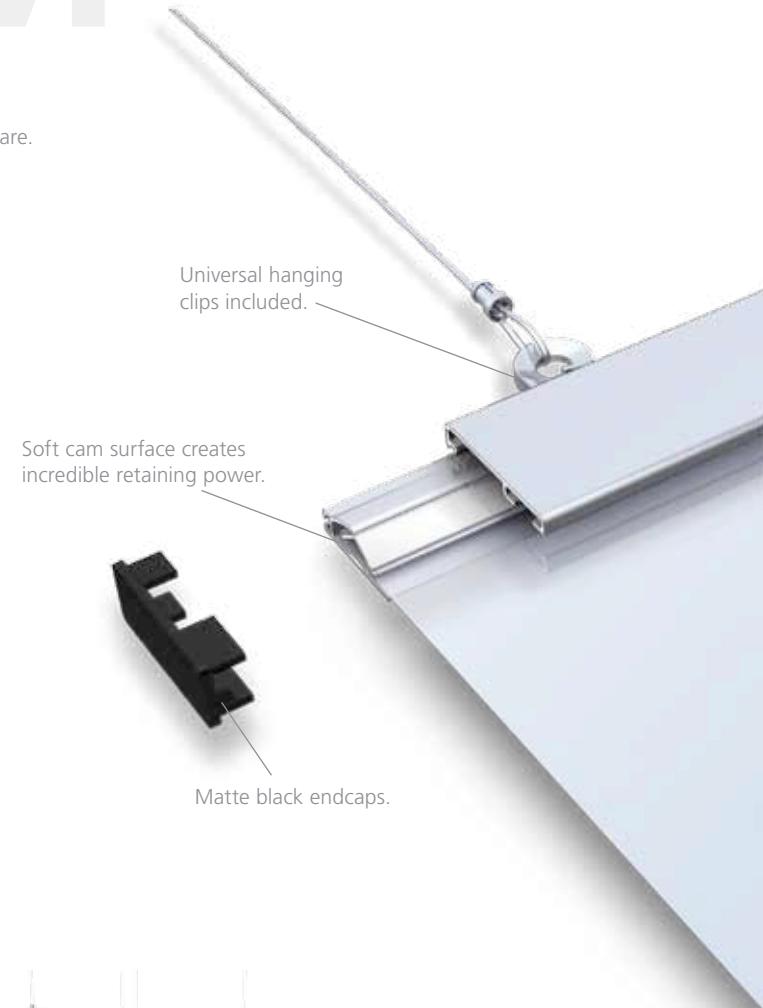
Custom lengths available

Color*

-S Satin Silver

-B Matte Black

*Does not affect price, but must use to order.



Universal hanging clips included.

Soft cam surface creates incredible retaining power.

Matte black endcaps.



UC180

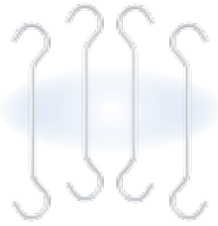
Steel Brackets
Set of 4. Allows casings to be joined in series.



Wide variety of hanging holders available.

DISPLAY

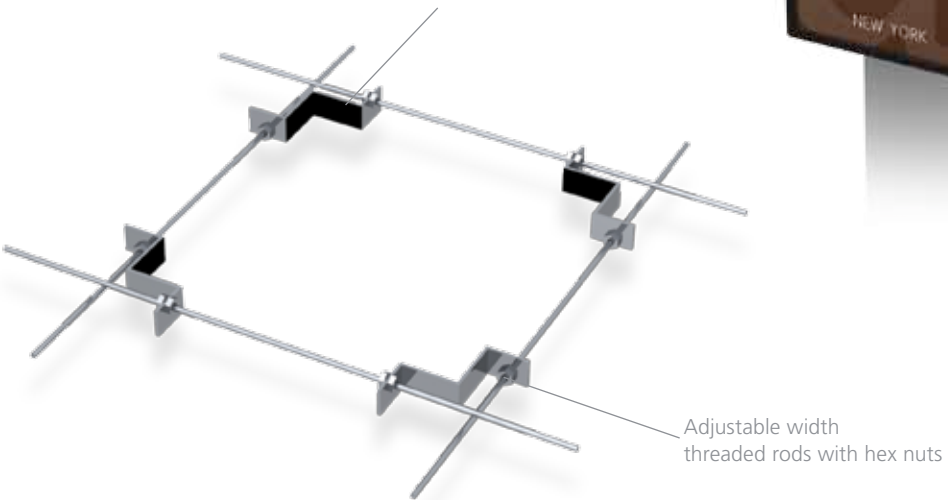
Column Wrap PerfexFrames™



4 Double C Hooks included.



Felt corners to protect column



Adjustable width threaded rods with hex nuts



Model	Graphic Size	Column Size up to:
WRAPX1	22" x 28"	21" Square or 21" x 27" Rectangular
WRAPX2	24" x 36"	23" Square or 23" x 35" Rectangular

-S Satin Silver

-B Matte Black

Slatwall ALUMINUM

1" ON CENTER SLATWALL
HAS A CLEAN MODERN LOOK

- 1" on center aluminum alloy
- Etched & clear satin anodized
- Lightweight & strong
- Beautiful, modern design

HUNDREDS OF STANDARD SLATWALL
ACCESSORIES ARE AVAILABLE

- Shelves
- Hat Racks
- Lit. Holders
- Face Outs
- Hangers
- Cap Displays
- Jewelry Displays
- Baskets
- Hooks
- Waterfalls
- Shelf Brackets
- Signage



Bulk Slatwall

LUMA48	6" high x 48" long
LUMA72	6" high x 72" long
LUMA96	6" high x 96" long

Other lengths available.



6" high profiles nest together.
Height is a multiple of 6" plus 1/4".



Single Sided Panels

All aluminum, clear satin anodized. Handsome finishing trim on two sides. Accepts all standard slat wall accessories.

Aluminum etched and satin anodized compliments all environments.

Model	W" x H"	Model	W" x H"
LUM2412	24" x 12-1/4"	LUM4818	48" x 18-1/4"
LUM3612	36" x 12-1/4"	LUM6018	60" x 18-1/4"
LUM4812	48" x 12-1/4"	LUM2430	24" x 30-1/4"
LUM6012	60" x 12-1/4"	LUM3630	36" x 30-1/4"
LUM2418	24" x 18-1/4"	LUM4830	48" x 30-1/4"
LUM3618	36" x 18-1/4"	LUM6030	60" x 30-1/4"

1" ON CENTER, VERY MODERN LOOK



LUM4830

Handsome finishing trim on two sides.



CUSTOM FINISHES AVAILABLE IN QUANTITY

SLATIN FINISH Slatwall

PORTABLE SLATWALL STANDS

- Lightweight & strong
- Etched & clear satin anodized
- Welded steel bases
- Racetrack oval upright
- Locking Casters
- Ultra easy assembly



Lockable casters are included

Headers accept 22" w x 8" h graphics



Units top load



LUP11	One-sided Slatwall
LUP11H	One-sided with header
LUP12	Two-sided Slatwall

LUP12H	Two-sided with header
LUP22	Two-sided, 22" x 28" frame
LUP22H	Same with header

All units 22" D x 25-3/8" W. Height without header 70", with 79".

ALUMINUM

Slatwall Stands

1" ON CENTER SLATWALL - CLEAN MODERN LOOK

- 1" on center aluminum slatwall
- Etched & clear satin anodized finish
- Strong yet portable
- Quality construction

TWO STYLES:

Gallery: Suitable for upscale use in galleries and tradeshow exhibits. Includes lockable rolling casters, handsome racetrack oval uprights and stylish satin silver finishes. 63" w x 76" h

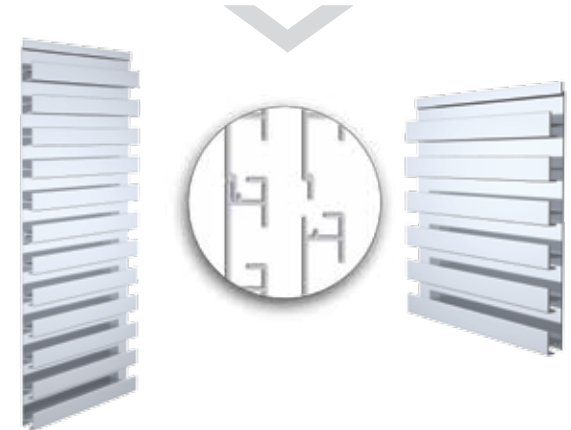
Market: Made to withstand the rigors of temporary outdoor art shows and flea markets. Slat sections are adjustable up & down and breaks down for portability. 63" w x 74" h

Both models include 8 slatwall sections, each 60" w x 6" h.

6" high profiles nest together. When joined atop each other, the structure strengthens.

Profiles can be faced to either side.

Eight 6" high profiles are included with each stand.



two LUMG2 Gallery Slatwall Stands

HUNDREDS OF STANDARD SLATWALL ACCESSORIES ARE AVAILABLE

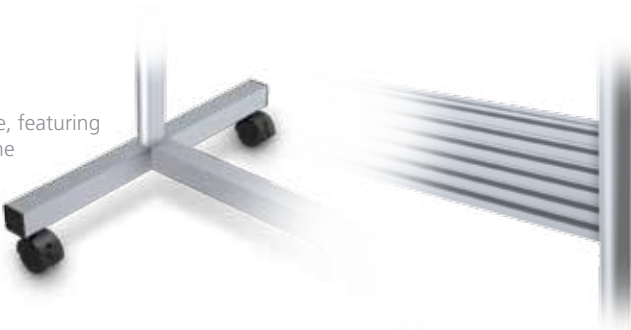
- Shelves
- Hangers
- Hooks
- Hat Racks
- Cap Displays
- Waterfalls
- Lit Holders
- Jewelry Displays
- Shelf Brackets
- Face Outs
- Baskets
- Signage

LUMG1	Gallery Stand - One-sided Slatwall
LUMG2	Gallery Stand - Two-sided Slatwall
LUMM1	Market Stand - One-sided Slatwall
LUMM2	Market Stand - Two-sided Slatwall
LUMPH1	Small picture hooks, bag of 24
HC6321	Hard Plastic Shipping Case

SATIN FINISH

Slatwall Stands

Gallery units are upscale, featuring locking casters, handsome racetrack oval uprights and satin silver finishes.



Market units are for temporary outdoor art shows and flea markets. Slat sections are adjustable up & down and breakdown easily for portability.



1" ON CENTER SLATWALL
HAS A CLEAN MODERN LOOK

LUMPH1
Picture Hooks
24 count.



HC6321 Rugged thermoformed hard plastic case, two rolling wheels, handle, straps with buckles. Only 1 stand per case loaded. I.D. 65" x 22" x 9-1/3". Packed weight: 88 lbs.



Six **LUMPH1** Market Slatwall Stands
Canopy not included.
Note: Stand feet go beyond the
10' square perimeter in this example.

Halos™ TENSION FABRIC

2 STYLES AVAILABLE - DESIGNED FOR PILLOWCASE GRAPHICS



HALO12 with HRNS5 harness

- 1-1/4" diameter aluminum tubing
- Easy swage & spring button assembly
- Satin anodized finish
- Metal eyebolts for hanging



Swage & Spring Button Construction

Halos Equal in Diameter Top & Bottom

Model	Size	Height	Sections	Struts
HALO6	6' Diameter	2-1/2'	4	3
HALO8	8' Diameter	3-1/2'	5	4
HALO10	10' Diameter	3-1/2'	6	4
HALO12	12' Diameter	3-1/2'	7	5

Tapered Halos Larger Diameter Tops, Smaller Bottoms

Model	Size	Height	Sections	Struts
HATP64	6' Top, 4' Bottom	2-1/2'	4	3
HATP86	8' Top, 6' Bottom	3-1/2'	5	4
HATP108	10' Top, 8' Bottom	3-1/2'	6	4
HATP1210	12' Top, 10' Bottom	3-1/2'	7	5



HARNESSES SETS

Harness Sets should be professionally installed.

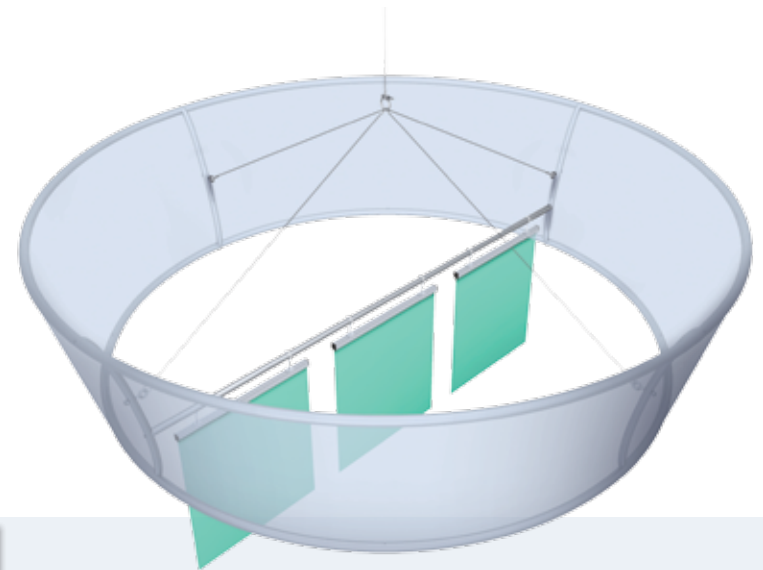
HRNS3 3 small shackles, 3 double loop lead wires (specify length), collection shackle, 20' pendant wire, 2 wire rope clips.

HRNS4 4 small shackles, 4 double loop lead wires (specify length), collection shackle, 20' pendant wire, 2 wire rope clips.

HRNS5 5 small shackles, 5 double loop lead wires (specify length), collection shackle, 20' pendant wire, 2 wire rope clips.

CUSTOMIZED SOLUTIONS

available - minimums apply.



HATP108 Tapered Halo with HRNS4 Harness Set & custom Trapeze/Gripper Bar set.

Disclaimer: Purchaser determines suitability of all product usage and assumes all risk & liability. Neither the seller or manufacturer shall be held liable for any injury, loss or damage from use of such product.

STRUCTURES

Circle Moons™

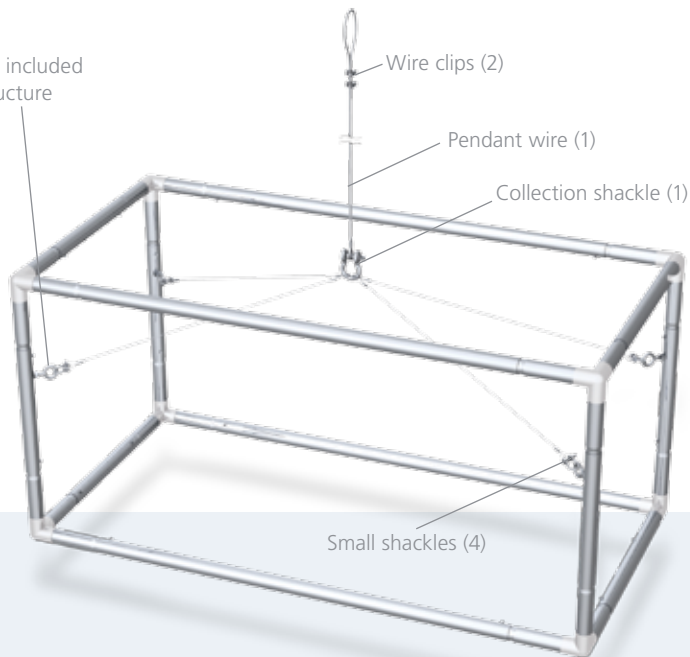
SUITABLE FOR PILLOWCASE GRAPHICS



Harness Sets should be professionally installed.

Harness Set not included.

Eyebolts included with structure



CIRCLE MOONS

- 1-1/4" diameter aluminum tubing
- Swage & spring button assembly
- Satin anodized finish
- Metal eyebolts for hanging

Model	Diameter	# of Sections
MOON4	4'	3
MOON6	6'	4
MOON8	8'	5
MOON10	10'	6
MOON12	12'	7

Eyebolts included: use Double C Hooks and anchors or harness sets to attach to ceiling.



Swage & Spring Button Construction



Eyebolts included

HANGING

Horizon Pillowcase

EASY TOOL FREE ASSEMBLY



- Designed for pillowcase graphics
- Swage and spring button construction
- Eyebolts on uprights for hanging
- Satin anodized aluminum tubing

CUSTOM SIZES
AVAILABLE

Rectangles 1-1/4" tubing

Model H x W x D (O.D.)

HPR3648	24" x 36" x 48"
HPR4248	24" x 42" x 48"
HPR3660	24" x 36" x 60"
HPR4260	24" x 42" x 60"

Cubes 1-1/4" tubing

Model H x W x D (O.D.)

HPC18	18" x 18" x 18"
HPC24	24" x 24" x 24"
HPC30	30" x 30" x 30"
HPC36	36" x 36" x 36"

Triangles 1" tubing

Model H x W (O.D.)

HPT36	18" x 36"
HPT42	24" x 42"
HPT48	24" x 48"
HPT60	30" x 60"

Swage & Spring Button Construction

Cross pieces can be any length, therefore custom sizes are available.



Hanging Eyebolts

Metal eyebolts are included on inside uprights.



Hanging Harness Sets Available



TOWERS

Horizon Pillowcase

HORIZON PILLOWCASE TOWERS

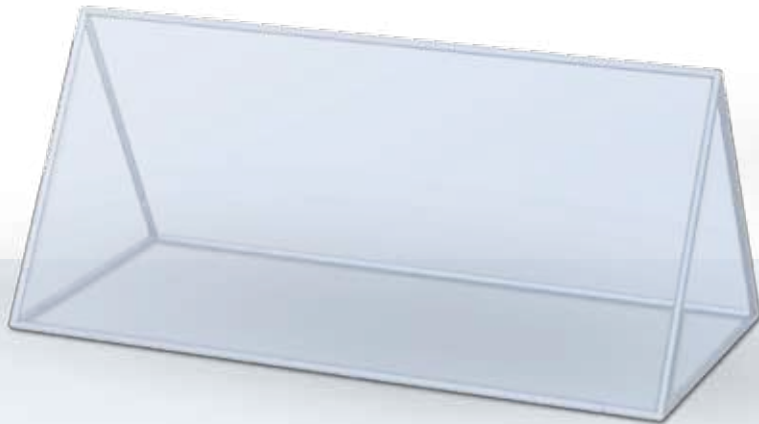
- Designed for pillowcase graphics
- Easy tool-free assembly
- Swage and spring button construction
- Satin anodized aluminum tubing

Model	Shape	Size	Tube Diam.	Crossbar
HPWT2472	Tri	24" x 72"	1"	No
HPWT3072	Tri	30" x 72"	1"	No
HPWR2472	Square	24" x 72"	1-1/4"	Yes
HPWR3072	Square	30" x 72"	1-1/4"	Yes

Swage & Spring Button Construction



Square Towers have crossbars



CUSTOM SIZES AVAILABLE

UPDATES

Swivel Tables™



- Clear satin anodized finish
- Aluminum alloy supports
- Lightweight, strong & portable
- Set-up in less than 1 minute!

About the Tops:

- 3/4" Stress relieved White Polypropylene engineered not to warp, even when in contact with chemicals found in cosmetics.
- 3/4" Baltic Birch round wood tops. with protective "T" molding. More economical than our White Polypropylene top swivel tables.

NOW AVAILABLE
WITH BIRCH TOPS!



Countertop ArcTop SignHolders™

- Aluminum alloy bases
- Individually poly bagged / bulk packed
- Handsome satin finishes
- Elegant, contemporary design



Small sizes are 4" wide



Larger sizes are 6" wide



CUSTOM SIZES &
COLORS AVAILABLE

UNITS WITH LENSES

Model	Graphic W" x H"	Depth	Model	Graphic W" x H"	Depth
AT01	7" x 5-1/2"	4"	AT06	8-1/2" x 11"	4"
AT02	5-1/2" x 7"	4"	AT07	14" x 11"	6"
AT03	11" x 7"	4"	AT08	11" x 14"	6"
AT04	7" x 11"	4"	AT09	17" x 11"	6"
AT05	11" x 8-1/2"	4"	AT10	22" x 17"	6"

BASE ONLY, NO LENSES

Accepts rigid & semi rigid graphics up to 3/32" thick.

Model	Width	Base Depth	Model	Width	Base Depth
AT11	5-1/2"	4"	AT15	11"	6"
AT12	7"	4"	AT16	14"	6"
AT13	8-1/2"	4"	AT17	17"	6"
AT14	11"	4"	AT18	22"	6"

-S Satin Silver

-B Matte Black

UPDATES

LED Pop-Up Light

PULD1 Very bright LED trade show light for Pop-Ups, 18w.



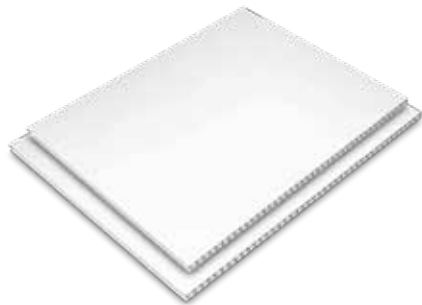
Choice!

ME & EO SnapFrames now come with a choice of:
-**C** Clear or -**M** Matte lenses.



Coroplast® Backs

White, 4mm corrugated plastic boards make excellent frame backs.



COR3 8-1/2" x 11"

COR6 14" x 22"

COR4 11" x 14"

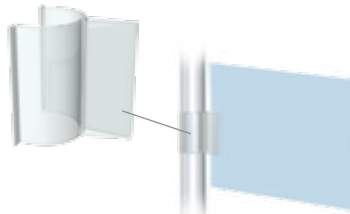
COR7 22" x 28"

COR5 11" x 17"

COR8 24" x 36"

Snap-on Graphic Clips (2/set)

Holds rigid media up to 3/32" thick.



HT1 Fits 1" diam. uprights

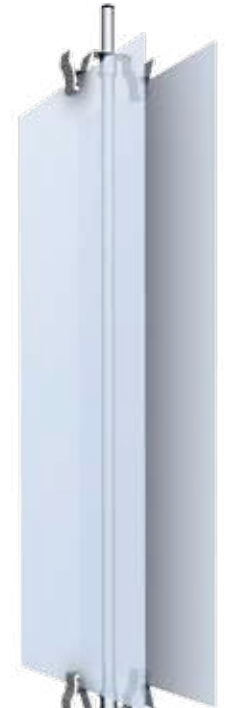
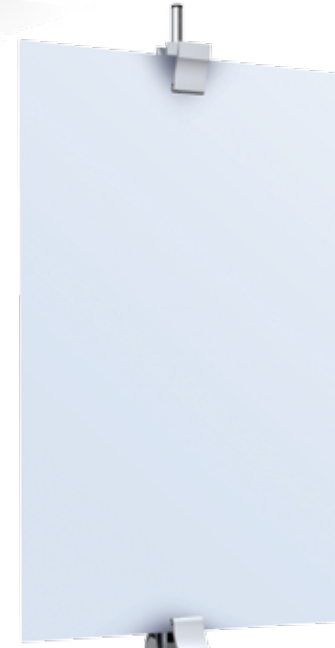
HT2 Fits 3/4" diam. uprights

Our excellent selling Visual Clamp Stands are now available with Travel Bases!



VCDD1

Metal ceiling clip.
Telescopic to 36", single clamp.



See Our Website for Round Base Models.

Ceiling Tracks

White, aluminum extrusions accept ceiling anchors and come with mounting holes.

CTK48 48" long, 3 holes

CTK72 72" long, 4 holes

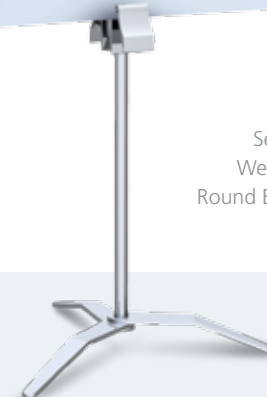


New Travel Base Models

VCST1TB Single sided stand (2 clamps)

VCST2TB Double sided stand (4 clamps)

-**S** Satin Silver -**B** Matte Black



DEMO

Mobile Demo Tables™

*A la carte accessories for Basic Table
(Kits include many of these).*

GREAT LOOKING, EASY, QUICK, TOOL-FREE SET UP!



CRDMK2 Basic Mobile Demo Table with shelf and Ink-jet graphic.

Our Mobile Demo Sampling Tables feature:

Top & Bottom gray MDF boards 3/4" x 18-3/4" x 35-3/4"

Overall Height: 39-1/8"

Velcro® Brand Hook along top & bottom

Accepts ink-jet graphics sized: 102-1/2"w x 38-1/2"h + .5" bleeds on each of 4 sides

Front panel viewing area is 32" wide.

MOBILE DEMO TABLES AND KITS

Model	Style
CRDM	Basic Mobile Demo Table
CRDMC	Same with hard plastic case
CRDMK1	Basic Table, 1 shelf
CRDMK1C	Same with hard plastic case
CRDMK2	Basic Table, 1 shelf, ink-jet graphic
CRDMK2C	Same with hard plastic case
CRDMK3	Basic Table, 1 shelf, 2 lightweight poles
CRDMK3C	Same with hard plastic case
CRDMK4	Basic Table, 1 shelf, 2 poles, ink-jet graphic
CRDMK4C	Same with hard plastic case



CRDMWR Ink-Jet digital wrap. 102-1/2"w x 38-1/2"h has mounting Velcro® Brand Loop along top & bottom.



CRDM5H Accessory Shelf includes mounting hardware and sits flat inside unit. 12"x 30". There is room for two shelves inside each stand.



CRDMUP Two section 1" diameter. Aluminum shock cord assembly. 45" open. For 2 sided use - order 2 units.



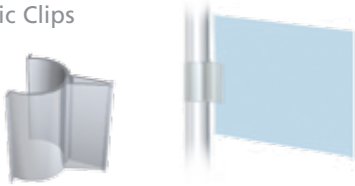
HC3919 Rugged thermoformed polyethylene construction. Heavy duty built-in durable wheels and handles. 39" x 19-1/4" x 5-1/2" high. Weight 20 lbs.

TABLES

Mobile Demo Tables™

LIGHTWEIGHT POLE ASSEMBLY ACCESSORIES

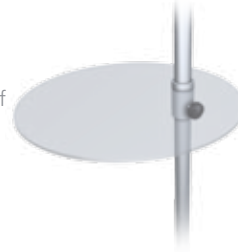
Graphic Clips



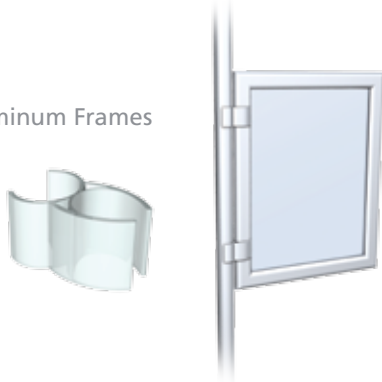
HT-1 Snap on graphic clips. Great for styrene and other semi rigid media up to 3/32" thick. 2/set. Use for side signage & headers.

Plastic Side Shelf

CRDPS Moveable 11-3/4" diameter plastic shelf is adjustable up & down and swivels.



Aluminum Frames



Snap on Perflex Aluminum Frames. 3/16" opening along short side. 2 Clips each frame.
CRDPX1 8-1/2" x 11" **CRDPX2** 11" x 14"

Visual Merchandise Clamps



VCEC1 Moveable aluminum clamps with a contemporary look. Rubber lined grip. Face up or down. Sold 1 each.



Aluminum Header



CRDPXH Aluminum snap on header accepts 3/16" x 30" w x 8" h graphic. Mounting clips included, top loading.

Snap On Brochure Holders

Snap onto poles

PB1C	Pamphlets	4" w x 2" d
PB2C	Catalogs	9" w x 2" d



PB1C



PB2C



CRDMK4 with additional accessories

QUALITY, STYLISH SYSTEM AT A REASONABLE PRICE POINT.

TOOL FREE EASY ASSEMBLY,
ITALIAN DESIGN, MADE IN THE USA.

Our **CREO** Demo Tables feature:

Top & Bottom gray MDF shelves 3/4" x 18-3/4" x 35-3/4"

Overall Height: 39-1/8"

Velcro® Brand Hook along top & bottom

Accepts ink-jet graphics sized: 102-1/2"w x 38-1/2"h + .5" bleeds on each of 4 sides
Front panel viewing area is 32" wide.



CRDMK6 Creo Demo with literature holders & monitor.



- Italian Design, Made in the U.S.A.
- Extremely strong, these structural uprights can hold substantial accessories, 84" overall height.

CREO DEMO KITS

Model	Style
CRDM	Basic Mobile Demo Table (no upright)
CRDMK5	Creo Demo, 1 upright, 1 internal shelf
CRDMK5C	Same with hard plastic case
CRDMK6	Creo Demo, 1 upright, internal shelf, ink-jet graphic
CRDMK6C	Same with hard plastic case
CRDMK7	Creo Demo, 2 uprights, 1 internal shelf
CRDMK7C	Same with hard plastic case
CRDMK8	Creo Demo, 2 uprights, internal shelf, ink-jet graphic
CRDMK8C	Same with hard plastic case

Note: In quantity, lower cost options include no inner shelf & plain upright top.



CRDMWR Ink-Jet digital wrap. 102-1/2"w x 38-1/2"h has mounting Velcro® Brand Loop along top & bottom.



CRDM5H Extra shelf includes mounting hardware and sits flat inside unit. 12"x 30". There is room for two shelves inside each stand.



HC3919 Rugged thermofomed polyethylene. Built-in durable wheels and handles. 39" x 19-1/4" x 5-1/2" high. Weight 20 lbs.

ALL ACCESSORIES INCLUDE MOUNTING HARDWARE.

TABLES **creo**



CRPA25 Pocket Arms for hemmed graphics between two uprights.



CRPX30 Perflex aluminum header frame for 30" x 8" graphics.



CROS Oval Shelf 3/8" x 12" x 8"



Waterfalls Garment Hangers
CRWF5 5 Slots **CRWF7** 7 Slots



CRCH Catalog Holder 9" w x 1-1/2" d, clear.



CRPG-2.5 Panel Grippers for 3 mm graphics. Sold 2 per.

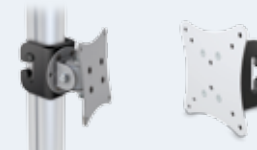


CRVM1 Aluminum Clamp, faces front.

CRVM2 Aluminum Clamp, faces side.



CRSF Shoe Shelf 3/8" x 4" x 10"



Video Mounts (19" Maximum)
CRVA Swiveling **CRVX** Fixed



CRFS 11-3/4" x 11-3/4" x 11-3/4". Frosted acrylic shelf, side mounts.



Graphic Rods - Sleek tubes. For hemmed graphics. Sold 2 per.

CRGR-1 18" **CRGR-2** 24"



Aluminum Side Frames Satin silver frames

CRPX1 8-1/2" x 11"

CRPX2 11" x 14"



CRJH J Hook



CRLS Lit. Holder 9" x 11-3/4", left (-L) or right (-R) mount.



CRB168 Clear Dump Bowl 16" w x 8" d.

PRESENTATION

Table Top Exhibits

Graphics Determine Panel Widths

Clips accept semi rigid or rigid graphics from .020" to .187" thick.
Semi rigid graphics can be rolled for easy shipping.

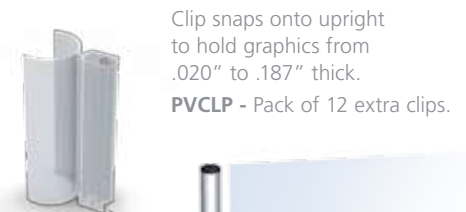
Styrene is an excellent media choice.
Rolls up for storage & shipping. Easily cleaned.

GREAT FOR TRADESHOWS OR ANY PORTABLE PRESENTATION

- 1" diameter uprights
- 6-3/4" round steel bases
- Satin anodized finish
- Lightweight, strong & portable
- Use rigid or semi-rigid graphics - quick change outs!



Model	Uprights	Clips	Holds
PVT1	4 - 24" High	12	3 panels
PVT2	5 - 24" High	16	4 panels
PVT3	4 - 36" High	12	3 panels
PVT4	5 - 36" High	16	4 panels



Clip snaps onto upright to hold graphics from .020" to .187" thick.
PVCLP - Pack of 12 extra clips.

PVT3 Shown with Graphic panels (not included).

SIMPLE - PORTABLE - ECONOMICAL

PORTABLE Privacy Stands

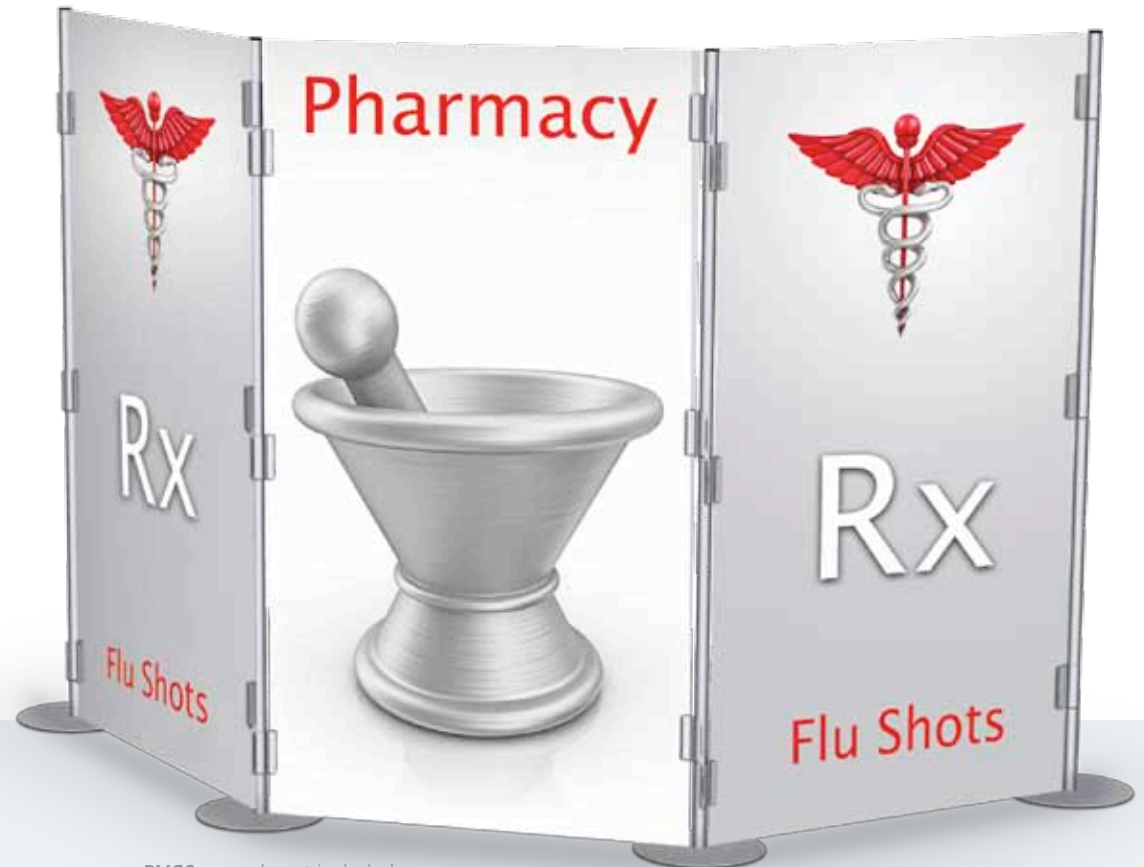


ECONOMICAL - ULTRA
EASY ASSEMBLY!

PRIVACY FLOOR STANDS

- Aluminum construction
- Satin anodized finish
- 75" tall, 2 section uprights
- 5 minute assembly
- Graphic clips or crossbars
- Steel weighted bases

Clips accept semi rigid or rigid graphics from .020" to .187" thick.
Semi rigid graphics can be rolled for easy shipping.



PVC6 - panels not included.

Units that accept 30" Pole Pocket Graphics (3/4" diameter crossbars)

PVC3	3 uprights, 3 bases, 4 crossbars holds 2 graphics
PVC3C	Same but with EBPVC case formatted for storage
PVC4	4 uprights, 4 bases, 6 crossbars holds 3 graphics
PVC4C	Same but with EBPVC case formatted for storage

Snap-on Units for Rigid & Semi Rigid Graphics

PVC5	3 uprights, 3 bases, 12 clips holds 2 panels
PVC5C	Same but with EBPVC case formatted for storage
PVC6	4 uprights, 4 bases, 18 clips holds 3 panels
PVC6C	Same but with EBPVC case formatted for storage



EBPVC Travel Bags. Carry and store stand components together from one season to the next. Includes special base holder bar.

2012

N E W P R O D U C T S

Testrite[®]
visual

Testrite[®] Visual Products, Inc. ...Manufacturing Excellence for 93 Years!

216 South Newman St., Hackensack, NJ 07601 | Tel: 888.873.2735 201.543.0240 | Fax: 201.543.2195 | www.testrite.com | ASI: 90917